

# KPC-1740

17" Industrial Panel PC with Intel® Atom N270

## User's Guide



**Contact Info:**                   **Quanmax Inc.**  
**5F, No. 415, Ti-Ding Blvd. Sec. 2, NeiHu District,**  
**Taipei, Taiwan 114**  
**Tel: +886-2-2799-2789**  
**Fax: +886-2-2799-7399**

**Visit our site at:**           **[www.quanmax.com](http://www.quanmax.com)**

© 2011 Quanmax Inc. All rights reserved.

The information in this user's guide is provided for reference only. Quanmax does not assume any liability arising out of the application or use of the information or products described herein. This user's guide may contain or reference information and products protected by copyrights or patents and does not convey any license under the patent rights of Quanmax, nor the rights of others.

Quanmax is a registered trademark of Quanmax. All trademarks, registered trademarks, and trade names used in this user's guide are the property of their respective owners. All rights reserved. This user's guide contains information proprietary to Quanmax. Customers may reprint and use this user's guide in other publications. Customers may alter this user's guide and publish it only after they remove the Quanmax name, cover, and logo.

Quanmax reserves the right to make changes without notice in product or component design as warranted by evolution in user needs or progress in engineering or manufacturing technology.

Changes which affect the operation of the unit will be documented in the next revision of this user's guide.

<b>Revision</b>	<b>Date</b>	<b>Edited by</b>	<b>Changes</b>
1.0	2011/05/04	Zack	Initial Release



# Content

<u>Content</u> .....	3
<u>Figures</u> .....	4
<u>Tables</u> .....	4
<u>Safety Instructions</u> .....	5
— <u>Before You Begin</u> .....	5
— <u>When Working Inside a Computer</u> .....	6
— <u>Preventing Electrostatic Discharge</u> .....	6
— <u>Instructions for Lithium Battery</u> .....	7
— <u>Voltage Ratings</u> .....	7
<u>Preface</u> .....	8
— <u>How to Use This Guide</u> .....	8
— <u>Unpacking</u> .....	8
— <u>Regulatory Compliance Statements</u> .....	8
— <u>Warranty Policy</u> .....	9
— <u>Maintaining Your Computer</u> .....	10
<u>Chapter 1 Introduction</u> .....	13
— <u>Overview</u> .....	13
— <u>System tour</u> .....	15
— <u>Mechanical Dimensions</u> .....	19
<u>Chapter 2 Getting Started</u> .....	18
— <u>Setting up your PC</u> .....	18
— <u>Turning on the System</u> .....	20
— <u>VESA Mounting</u> .....	21
— <u>Panel Mounting</u> .....	22
<u>Chapter 3 AMI BIOS Setup</u> .....	24
— <u>Overview</u> .....	24
— <u>Main Menu</u> .....	25
— <u>Advanced Menu</u> .....	27
— <u>Boot Menu</u> .....	31
— <u>Chipset Menu</u> .....	32
— <u>Power Menu</u> .....	34
— <u>Security Menu</u> .....	35
— <u>Exit Menu</u> .....	36
<u>Chapter 4 Driver Installation</u> .....	38

# Figures

<u>Figure 1 Rear I/Os</u> .....	15
<u>Figure 2 Side View</u> .....	16
<u>Figure 3 Mechanical Dimensions</u> .....	17
<u>Figure 4 Connecting the VGA cable</u> .....	18
<u>Figure 5 Connecting USB mouse &amp; keyboard</u> .....	19
<u>Figure 6 Network cable with RJ45 connector</u> .....	19
<u>Figure 7 Turing on the system</u> .....	20
<u>Figure 8 VESA Mounting</u> .....	21
<u>Figure 9 Panel Mount Cut-Out Hole and Maximum Panel Thickness</u> .....	22
<u>Figure 10 Panel Mounting</u> .....	23

# Tables

<u>Table 1 KPC-1740 product specifications</u> .....	14
<u>Table 2 BIOS Main Menu</u> .....	25
<u>Table 3 IDE Device Setting Menu</u> .....	25
<u>Table 4 System Information</u> .....	26
<u>Table 5 Advanced Menu</u> .....	27
<u>Table 6 Onboard I/O Configuration</u> .....	27
<u>Table 7 Onboard Peripherals Configuration Settings</u> .....	29
<u>Table 8 Hardware Health Configuration</u> .....	30
<u>Table 9 Boot Menu</u> .....	31
<u>Table 10 Chipset Menu</u> .....	32
<u>Table 11 Video Function Configurition</u> .....	33
<u>Table 12 Power Menu</u> .....	34
<u>Table 13 Security Menu</u> .....	35
<u>Table 14 Exit Menu</u> .....	36

# Safety Instructions

## ■ Before You Begin

Before handling the product, read the instructions and safety guidelines on the following pages to prevent damage to the product and to ensure your own personal safety. Refer to the “Advisories” section in the Preface for advisory conventions used in this user’s guide, including the distinction between Warnings, Cautions, Important Notes, and Notes.

- Always use caution when handling/operating a computer. Only qualified, experienced, authorized electronics service personnel should access the interior of a computer. The power supplies produce high voltages and energy hazards, which can cause bodily harm.
- Use extreme caution when installing or removing components. Refer to the installation instructions in this user’s guide for precautions and procedures. If you have any questions, please contact Quanmax Post-Sales Technical Support.
- Access can only be gained by service persons or by users who have been instructed about the reasons for the restrictions applied to the location and about any precautions that shall be taken; and access is through the use of a tool or lock and key, or other means of security, and is controlled by authority responsible for the location.

---

### WARNING



High voltages are present inside the chassis when the unit’s power cord is plugged into an electrical outlet. Turn off system power, turn off the power supply, and then disconnect the power cord from its source before removing the chassis cover. Turning off the system power switch does not remove power to components.

## ■ When Working Inside a Computer

Before taking covers off a computer, perform the following steps:

1. Turn off the computer and any peripherals.
2. Disconnect the computer and peripherals from their power sources or subsystems to prevent electric shock or system board damage. This does not apply when hot swapping parts.
3. Follow the guidelines provided in “Preventing Electrostatic Discharge” on the following page.
4. Disconnect any telephone or telecommunications lines from the computer.

In addition, take note of these safety guidelines when appropriate:

- To help avoid possible damage to system boards, wait five seconds after turning off the computer before removing a component, removing a system board, or disconnecting a peripheral device from the computer.
- When you disconnect a cable, pull on its connector or on its strain-relief loop, not on the cable itself. Some cables have a connector with locking tabs. If you are disconnecting this type of cable, press in on the locking tabs before disconnecting the cable. As you pull connectors apart, keep them evenly aligned to avoid bending any connector pins. Also, before connecting a cable, make sure both connectors are correctly oriented and aligned.

---

### CAUTION



Do not attempt to service the system yourself except as explained in this user's guide. Follow installation and troubleshooting instructions closely.

---

## ■ Preventing Electrostatic Discharge

Static electricity can harm system boards. Perform service at an ESD workstation and follow proper ESD procedure to reduce the risk of damage to components.

Quanmax strongly encourages you to follow proper ESD procedure, which can include wrist straps and smocks, when servicing equipment.

You can also take the following steps to prevent damage from electrostatic discharge (ESD):

- When unpacking a static-sensitive component from its shipping carton, do not remove the component's antistatic packing material until you are ready to install

the component in a computer. Just before unwrapping the antistatic packaging, be sure you are at an ESD workstation or grounded. This will discharge any static electricity that may have built up in your body.

- When transporting a sensitive component, first place it in an antistatic container or packaging.
- Handle all sensitive components at an ESD workstation. If possible, use antistatic floor pads and workbench pads.
- Handle components and boards with care. Don't touch the components or contacts on a board. Hold a board by its edges or by its metal mounting bracket.
- Do not handle or store system boards near strong electrostatic, electromagnetic, magnetic, or radioactive fields.

## ■ Instructions for Lithium Battery

---



### WARNING

Danger of explosion when battery is replaced with incorrect type. Only replace with the same or equivalent type recommended by the manufacturer.

---

Do not dispose of lithium batteries in domestic waste. Dispose of the battery according to the local regulations dealing with the disposal of these special materials (e.g. to the collecting points for disposal of batteries)

## ■ Voltage Ratings

The external power adaptor of the KPC-1740 has the following voltage ratings:

- 100-240Vac±10%,+12V/6.7A,80W & 100-240Vac±10%,+24V/3.75A,90W

# Preface

## ■ How to Use This Guide

This guide is designed to be used as step-by-step instructions for installation, and as a reference for operation, troubleshooting, and upgrades.

---

### NOTE



Driver downloads and additional information are available under Downloads on our web site: [www.quanmax.com](http://www.quanmax.com).

---

## ■ Unpacking

When unpacking, follow these steps:

1. After opening the box, save it and the packing material for possible future shipment.
2. Remove all items from the box. If any items listed on the purchase order are missing, notify Quanmax customer service immediately.
3. Inspect the product for damage. If there is damage, notify Quanmax customer service immediately. Refer to “Warranty Policy” for the return procedure.

## ■ Regulatory Compliance Statements

This section provides the FCC compliance statement for Class A devices.

### **FCC Compliance Statement:**

This equipment has been tested and found to comply with limits for a Class A digital device, pursuant to Part 15 of the FCC rules. These limits are designed to provide reasonable protection against harmful interference in residential installations. This equipment generates, uses, and can radiate radiofrequency energy, and if not installed and used in accordance with the instructions, may cause harmful interference to radio communications. However, there is no guarantee that interference will not occur in a particular installation. If this equipment does cause



interference to radio or television equipment reception, which can be determined by turning the equipment off and on, the user is encouraged to try to correct the interference by one or more of the following measures:

- Reorient or relocate the receiving antenna.
- Increase the separation between the equipment and receiver.
- Connect the equipment to an outlet on a circuit different from that to which the receiver is connected.
- Consult the dealer or an experienced radio/TV technician for help.

Changes or modifications not expressly approved by Quanmax could void the user's authority to operate the equipment.

---

#### NOTE



The assembler of a personal computer system may be required to test the system and/or make necessary modifications if a system is found to cause harmful interference or to be noncompliant with the appropriate standards for its intended use.

---

## ■ Warranty Policy

### Limited Warranty

Quanmax Inc.'s detailed Limited Warranty policy can be found under Support at [www.quanmax.com](http://www.quanmax.com). Please consult your distributor for warranty verification.

The limited warranty is void if the product has been subjected to alteration, neglect, misuse, or abuse; if any repairs have been attempted by anyone other than Quanmax or its authorized agent; or if the failure is caused by accident, acts of God, or other causes beyond the control of Quanmax or the manufacturer. Neglect, misuse, and abuse shall include any installation, operation, or maintenance of the product other than in accordance with the user's guide.

No agent, dealer, distributor, service company, or other party is authorized to change, modify, or extend the terms of this Limited Warranty in any manner whatsoever.

Quanmax reserves the right to make changes or improvements in any product without incurring any obligation to similarly alter products previously purchased.

### Return Procedure

For any Limited Warranty return, please contact Support at [www.quanmax.com](http://www.quanmax.com) and login to obtain a Return Material Authorization (RMA) Number. If you do not have an

account, send an email to support@quanmax.com to apply for one.

All product(s) returned to Quanmax for service or credit must be accompanied by a Return Material Authorization (RMA) Number. Freight on all returned items must be prepaid by the customer who is responsible for any loss or damage caused by common carrier in transit. Returns for Warranty must include a Failure Report for each unit, by serial number(s), as well as a copy of the original invoice showing the date of purchase.

To reduce risk of damage, returns of product must be in a Quanmax shipping container. If the original container has been lost or damaged, new shipping containers may be obtained from Quanmax Customer Service at a nominal cost. Quanmax owns all parts removed from repaired products. Quanmax uses new and reconditioned parts made by various manufacturers in performing warranty repairs and building replacement products. If Quanmax repairs or replaces a product, its warranty term is not extended.

Shipments not in compliance with this Limited Warranty Return Policy will not be accepted by Quanmax.

## **Limitation of Liability**

In no event shall Quanmax be liable for any defect in hardware, software, loss, or inadequacy of data of any kind, or for any direct, indirect, incidental, or consequential damages in connection with or arising out of the performance or use of any product furnished hereunder. Quanmax's liability shall in no event exceed the purchase price of the product purchased hereunder. The foregoing limitation of liability shall be equally applicable to any service provided by Quanmax or its authorized agent.

## **■ Maintaining Your Computer**

### **Environmental Factors**

#### **■ Temperature**

The ambient temperature within an enclosure may be greater than room ambient temperature. Installation in an enclosure should be such that the amount of air flow required for safe operation is not compromised.

Consideration should be given to the maximum rated ambient temperature.

Overheating can cause a variety of problems, including premature aging and failure of chips or mechanical failure of devices.

If the system has been exposed to abnormally cold temperatures, allow a two-hour warm-up period to bring it up to normal operating temperature before

turning it on. Failure to do so may cause damage to internal components, particularly the hard disk drive.

### ■ **Humidity**

High-humidity can cause moisture to enter and accumulate in the system. This moisture can cause corrosion of internal components and degrade such properties as electrical resistance and thermal conductivity. Extreme moisture buildup inside the system can result in electrical shorts, which can cause serious damage to the system.

Buildings in which climate is controlled usually maintain an acceptable level of humidity for system equipment. However, if a system is located in an unusually humid location, a dehumidifier can be used to maintain the humidity within an acceptable range. Refer to the “Specifications” section of this user’s guide for the operating and storage humidity specifications.

### ■ **Altitude**

Operating a system at a high altitude (low pressure) reduces the efficiency of the cooling fans to cool the system. This can cause electrical problems related to arcing and corona effects. This condition can also cause sealed components with internal pressure, such as electrolytic capacitors, to fail or perform at reduced efficiency.

## **Power Protection**

The greatest threats to a system’s supply of power are power loss, power spikes, and power surges caused by electrical storms, which interrupt system operation and/or damage system components. To protect your system, always properly ground power cables and one of the following devices.

### ■ **Surge Protector**

Surge protectors are available in a variety of types and usually provide a level of protection proportional with the cost of the device. Surge protectors prevent voltage spikes from entering a system through the AC power cord. Surge protectors, however, do not offer protection against brownouts, which occur when the voltage drops more than 20 percent below the normal AC line voltage level.

### ■ **Line Conditioner**

Line conditioners go beyond the overvoltage protection of surge protectors.

Line conditioners keep a system's AC power source voltage at a fairly constant level and, therefore, can handle brownouts. Because of this added protection, line conditioners cost more than surge protectors. However, line conditioners cannot protect against a complete loss of power.

#### ■ **Uninterruptible Power Supply**

Uninterruptible power supply (UPS) systems offer the most complete protection against variations on power because they use battery power to keep the server running when AC power is lost. The battery is charged by the AC power while it is available, so when AC power is lost, the battery can provide power to the system for a limited amount of time, depending on the UPS system.

UPS systems range in price from a few hundred dollars to several thousand dollars, with the more expensive units allowing you to run larger systems for a longer period of time when AC power is lost. UPS systems that provide only 5 minutes of battery power let you conduct an orderly shutdown of the system, but are not intended to provide continued operation. Surge protectors should be used with all UPS systems, and the UPS system should be Underwriters Laboratories (UL) safety approved.

# Chapter 1

## Introduction

### ■ Overview

The KPC-1740 Panel PC is supporting the latest Intel® 45nm Atom N270 processor with the high integration of the Intel® 945GSE and ICH7-M chipset. The new architecture of Atom™ N270 enables the lowest power consumption and smallest form factor for thin client and fundamental use. Featured are DDR2-400/533 Long DIMM up to 2GB, 2x Gigabit Ethernet, SATA, PCI/mini PCIe Expansion slot, 4x USB 2.0, 4x COM ports, parallel port and keyboard/mouse.

The KPC series provide a compact, high performance human-machine interface, with optimal shock, vibration and temperature resistance for tough industrial demands.

### Checklist

- KPC-1740
- Power Adapter
- Power Cord
- Driver CD
- Quick installation Guide

### Features

- 17" TFT LCD Display with Resistive 5-wire TouchScreen CPU Support
- Intel® Atom N270 Processor
- IP65 approved front bezel
- 2 x GbE, 4 x COMs, 4 x USB, 1 x Print, 1 x K/B, 1 x M/S
- 1 x PCI slot and 1 x Mini-PCIe slot
- VGA, Line-Out, MIC-In

## Product Specifications

<b>Dimensions</b>	KPC-1740: 442 x 354 x 93.44 mm (W x H x D)
<b>Weight</b>	KPC-1740: 8.4 kg
<b>CPU</b>	Intel® Atom N270 Processor
<b>Chipset</b>	Intel® 945GSE + ICH7-M
<b>RAM</b>	1 Long DIMM for DDR2 400/533 up to 2GB
<b>Storage</b>	2 x 7-pin SATA connectors 1 x 2x22-pin pitch 2.0mm box header for IDE interface
<b>Material</b>	Aluminum front bezel & SECC chassis
<b>IO</b>	2x GbE, RJ-45 4x USB 2.0 1x Print 1x K/B and 1x M/S 1x VGA 4x COMs 1x Power On/Off Switch 1x Power Connector Line Out, MIC-In
<b>Expansion</b>	1xPCI Slot 1xMini-PCIe slot
<b>LCD Display</b>	Display Type: 17" TFT LCD Resolution: XGA (1280x1024) Brightness: 500 cd/m <sup>2</sup> Touch Screen: 5-wire Resistive Type
<b>Network</b>	Wireless LAN 802.11b/g/n (optional) 2x Gigabit Ethernet On-board LAN
<b>Cooling</b>	CPU and System Fan
<b>Power Unit</b>	100-240Vac±10%,+12V/6.7A,80W or 100-240Vac±10%,+24V/3.75A,90W
<b>Temperature / Humidity</b>	Operating: 0°C to 60°C (CF, SSD), 0°C to 50°C (2.5" HDD); Storage: 0°C to 70°C, 10%-85% rel. hum., non-condensing
<b>Mounting</b>	VESA, Panel Mount
<b>Certifications</b>	CE, FCC Class A, IP65 front bezel

Table 1 KPC-1740 product specifications

## ■ System Tour

Refer to the figures below to identify the components of the system.

### ■ Rear I/Os

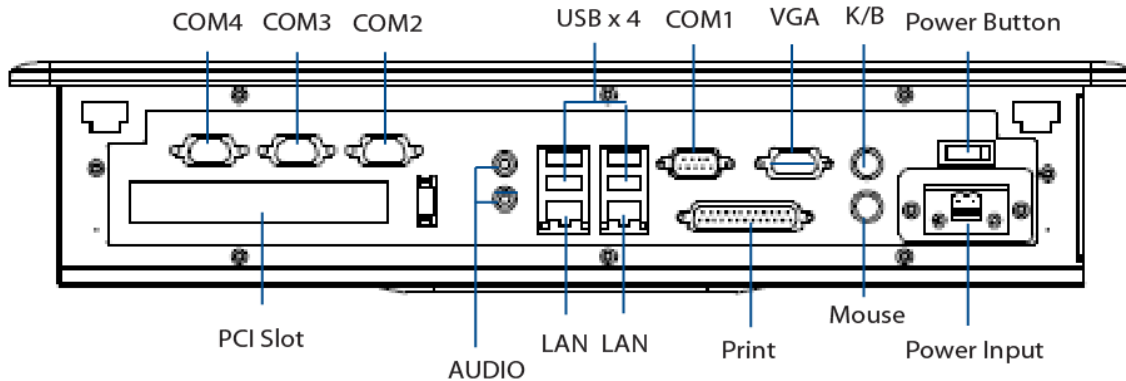


Figure 1 Rear I/O

#### **Power Input**

The supplied power adapter converts AC power to DC for use with this jack. Power supplied through this jack supplies power to the PC. To prevent damage to the PC, always use the supplied power adapter.

#### **PCI Slot**

The PCI slot enables user to insert one add-on card for expansion.

#### **Power Switch**

The power button allows powering ON and OFF the system.

#### **AUDIO**

##### **Line Out (Green)**

The stereo headphone jack is used to connect the system's audio out signal to amplified speakers or headphones.

##### **MIC-IN (Pink)**

The microphone jack is designed to connect the microphone used for video conferencing, voice narrations, or simple audio recordings.

## **USB**

The USB (Universal Serial Bus) port is compatible with USB devices such as keyboards, mouse devices, cameras, and hard disk drives. USB allows many devices to run simultaneously on a single computer, with some peripheral acting as additional plug-in sites or hubs.

## **Ethernet**

The eight-pin RJ-45 LAN port supports a standard Ethernet cable for connection to a local network.

## **Print**

The print port provides 25-pin out for printer connection.

## **Keyboard/Mouse**

The KB/MS connectors enable user to connect keyboard and mouse cables.

## **HDMI**

HDMI output

## **VGA**

D-Sub 15 pin VGA connector for display output

## **COM**

D-Sub 9 pin connector for RS-232 connection

## **Side View**

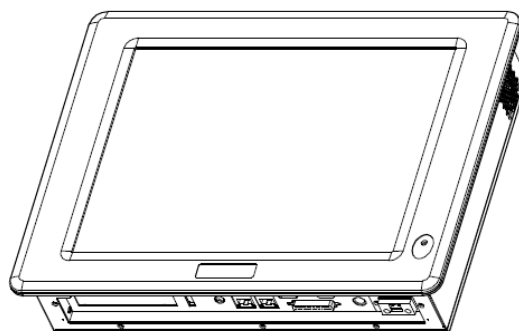
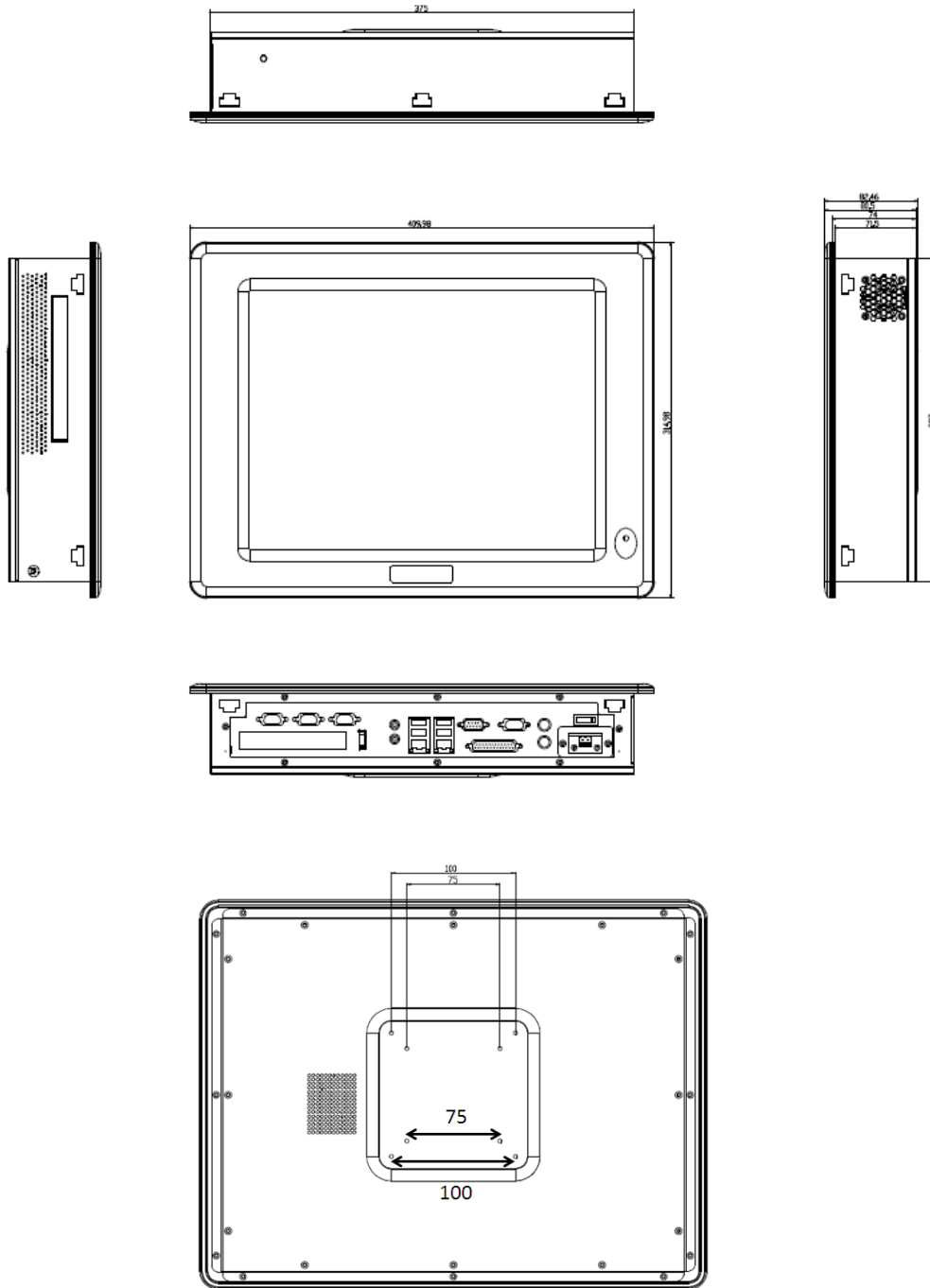


Figure 2 Side View



# Mechanical Dimensions



Dimension: 442 x 354 x 93.44 mm (W x H x D)

Figure 3 Mechanical Dimensions

## Chapter 2

# Getting Started

### ■ Setting up your PC

#### ■ Connect the monitor, mouse and keyboard

##### Connecting the monitor

Connect the VGA cable from your display to the VGA port.

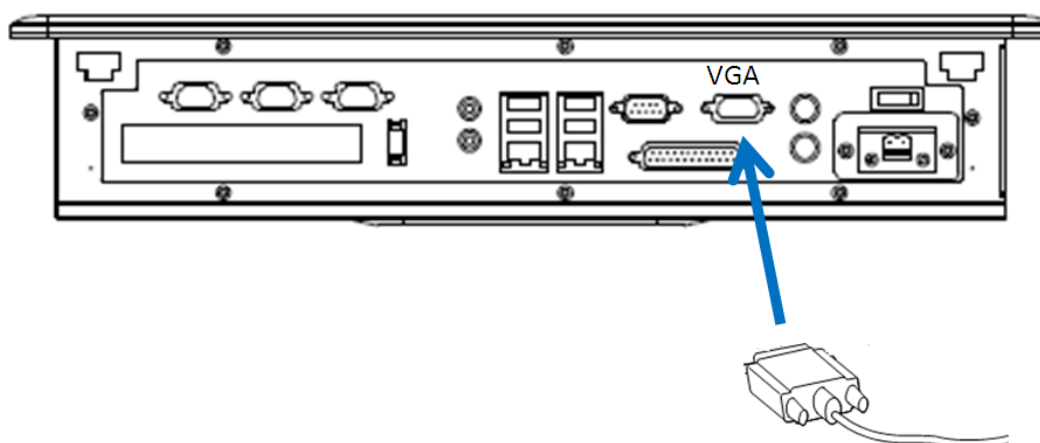


Figure 4 Connecting the VGA cable

#### NOTE



When the system reboots without connecting the VGA, there might be no image on screen when you insert the VGA cable. Please pressing **<Ctrl>+<Alt>+<F4>** simultaneously to show the image on screen.

---

### Connecting USB mouse & keyboard

Your KPC-1740 does not come with a keyboard and mouse connector, but you can use any USB keyboard or mouse with your computer.

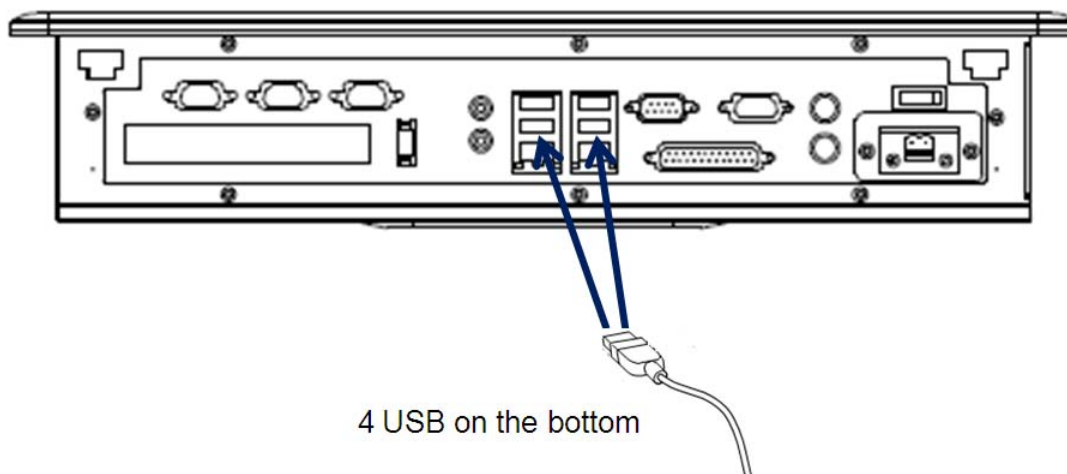


Figure 5 Connecting USB mouse & keyboard

#### NOTE



Using a third-party USB mouse or keyboard may require software drivers. Check the manufacturer's website for the latest software drivers.

### ■ Connecting to a network device

Connect one end of a network cable to the LAN port on the system rear panel and the other end to a hub or switch.

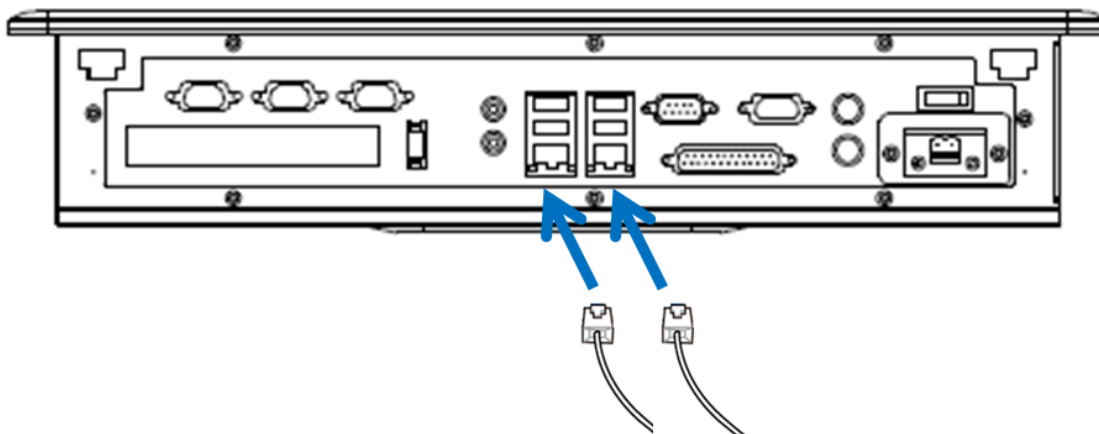


Figure 6 Network cable with RJ45 connector

### ■ Turning on the system

1. Connect the power adapter cable to the DC jack (DC IN) of the KPC-1740
2. Connect the power cable to the power adapter
3. Connect the power cable to a power outlet
4. Press the power button on the front panel to turn on the system

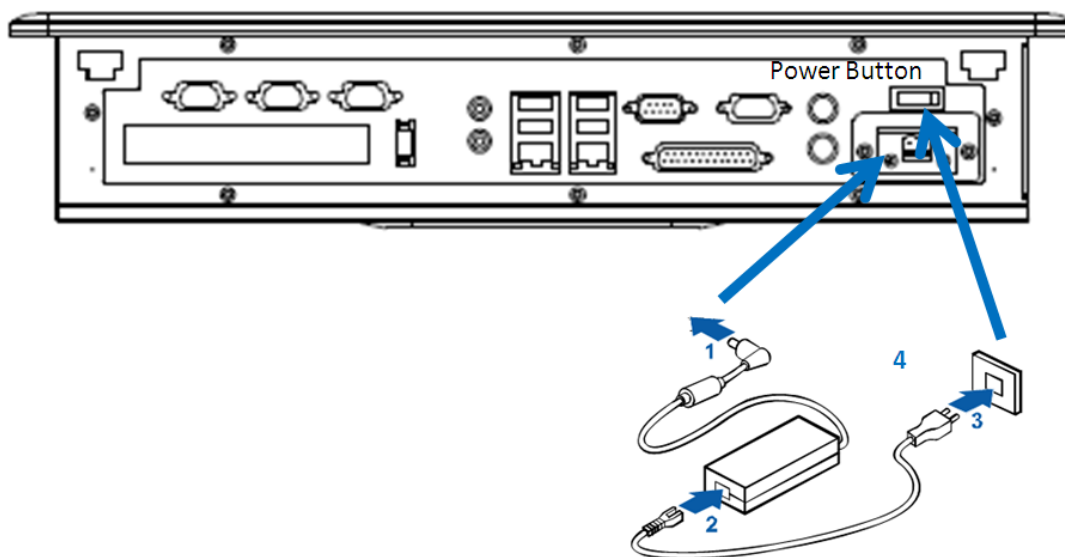
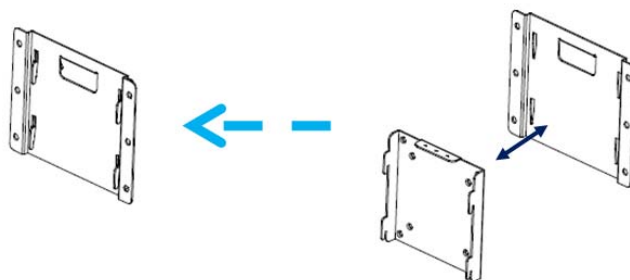
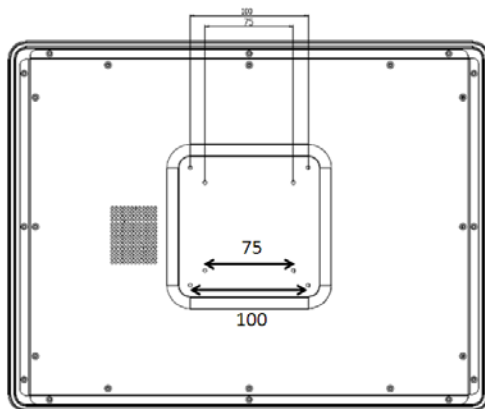


Figure 7 Turing on the system

## ■ VESA Mounting

The product comes with VESA FDMI 75/100 standard mounting holes as shown below. Use 4 screws with the appropriate length for your mounting bracket.



VESA Mount  
Completion

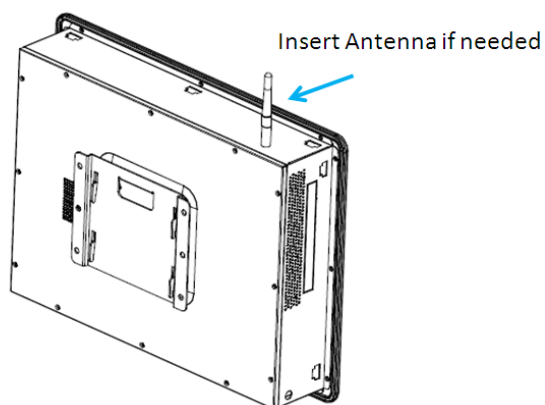


Figure 8 VESA Mounting

## ■ Panel Mounting

The Panel PC can be panel mounted and comes with brackets and screws for this purpose. The required cutout for panel mounting and maximum panel thickness is shown below.

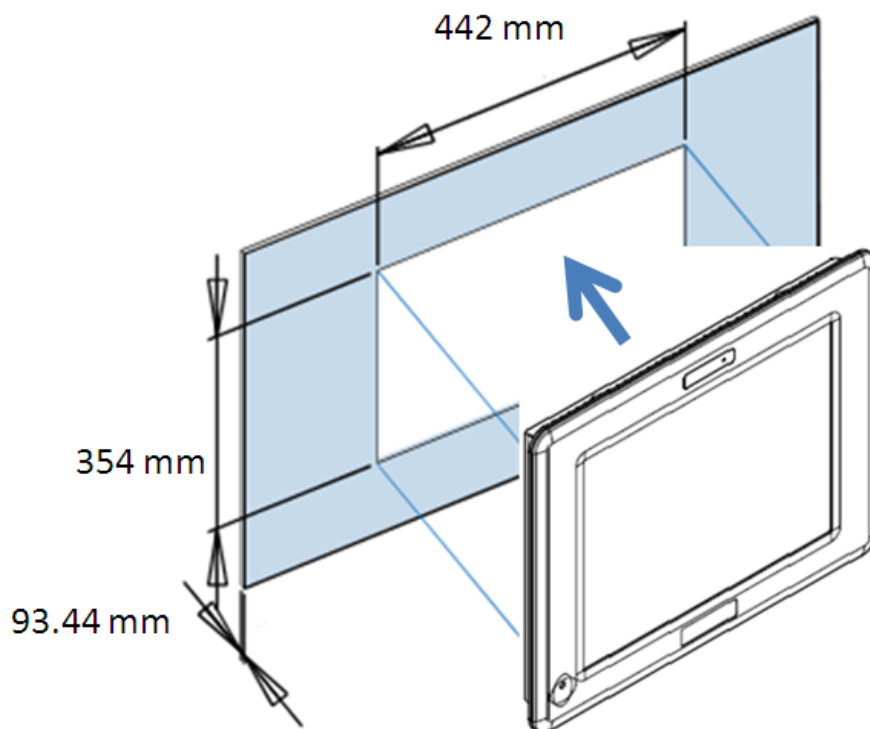
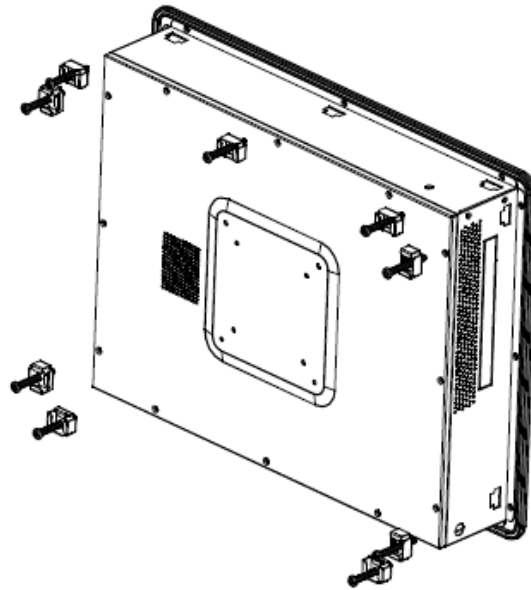


Figure 9 Panel Mount Cut-out hole and maximum panel thickness

- Below are the demonstrations of how to do panel mounting.

**Step1**

Tightening the screws as shown right.



**Step2**

Done

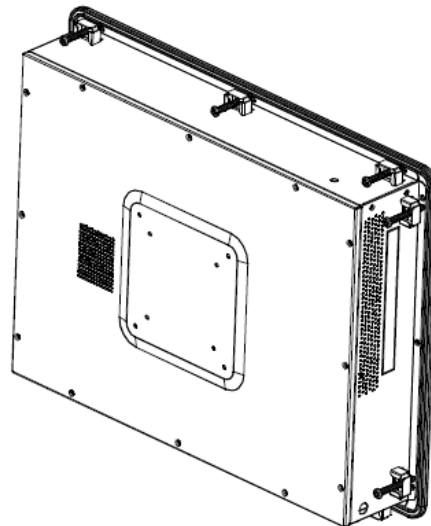


Figure 10 Panel Mounting

# Chapter 3

## AMI BIOS Setup

### ■ Overview

This chapter provides a description of the AMI BIOS. The BIOS setup menus and available selections may vary from those of your product. For specific information on the BIOS for your product, please contact Quanmax.



**NOTE:** The BIOS menus and selections for your product may vary from those in this chapter. For the BIOS manual specific to your product, please contact Quanmax

---

AMI's ROM BIOS provides a built-in Setup program, which allows the user to modify the basic system configuration and hardware parameters. The modified data will be stored in a battery-backed CMOS, so that data will be retained even when the power is turned off. In general, the information saved in the CMOS RAM will not need to be changed unless there is a configuration change in the system, such as a hard drive replacement or when a device is added.

It is possible for the CMOS battery to fail, which will cause data loss in the CMOS only. If this happens you will need to reconfigure your BIOS settings.



## ■ Main Menu

The BIOS Setup is accessed by pressing the DEL key after the Power-On Self-Test (POST) memory test begins and before the operating system boot begins. Once you enter the BIOS Setup Utility, the Main Menu will appear on the screen. The Main Menu provides System Overview information and allows you to set the System Time and Date. Use the “<” and “>” cursor keys to navigate between menu screens.

Table 2 BIOS Main Menu

BIOS SETUP UTILITY						
Main	Advanced	Boot	Chipset	Power	Security	Exit
System Date			[Thu 12/13/2010]			Use [ENTER], [TAB] or [SHIFT-TAB] to select a field.
System Time			[10:30:15]			Use [+] or [-] to configure system Time.
> SATA 1			: [Not Detected]			← Select Screen
> SATA 2			: [Not Detected]			↑↓ Select Item
> Secondary IDE Master			: [Not Detected]			+ - Change Field
> System Information						Tab Select Field
						F1 General Help
						F10 Save and Exit
						ESC Exit
V02.61 (C)Copyright 1985-2006, American Megatrends, Inc.						

Table 3 IDE Device Setting Menu

BIOS SETUP UTILITY						
Main						
SATA 1			Disable: Disables LBA Mode.			
Device	:	Not Detected	Auto: Enables LBA Mode if the device supports it and the device is not already formatted with LBA Mode disabled.			
<b>LBA/ Large Mode</b>			<b>[Auto]</b>			
DMA Mode	:	[Auto]	← Select Screen			
S.M.A.R.T	:	[Auto]	↑↓ Select Item			
			+ - Change Field			
			Tab Select Field			
			F1 General Help			
			F10 Save and Exit			
			ESC Exit			
V02.61 (C)Copyright 1985-2006, American Megatrends, Inc.						

## LBA/ Large Mode

Enables or disables the LBA (Logical Block Addressing)/ Large mode. Setting to Auto enables the LBA mode if the device supports this mode, and if the device was not previously formatted with LBA mode disabled.

Options: Disabled, Auto

## DMA Mode

Options: Auto only

## S.M.A.R.T

SMART stands for Smart Monitoring, Analysis, and Reporting Technology. It allows AMIBIOS to use the SMART protocol to report server system information over a network.

Options: Auto, Disabled, Enabled

Table 4 System Information

BIOS SETUP UTILITY	
<b>Main</b>	
BIOS Version : 1.42 Build Date: :12/21/10	
Processor Genuine Intel® CPU N270 @ 1.60GHz Speed :1600MHz Count : 1	← Select Screen ↑↓ Select Item F1 General Help F10 Save and Exit ESC Exit
Physical Memory Size : 2040MB	
V02.61 (C)Copyright 1985-2006, American Megatrends, Inc.	

## ■ Advanced Menu

Table 5 Advanced Menu

BIOS SETUP UTILITY						
Main	Advanced	Boot	Chipset	Power	Security	Exit
Advanced Settings						
<p><b>Warning: Setting wrong values in below sections may cause system to malfunction.</b></p> <p>&gt; I/O Configuration</p> <p>&gt; OnBoard Peripherals Configuration</p> <p>&gt; Hardware Health Configuration</p>		<p>← Select Screen</p> <p>↑↓ Select Item</p> <p>Enter Go To Sub Screen</p> <p>F1 General Help</p> <p>F10 Save and Exit</p> <p>ESC Exit</p>				
V02.61 (C)Copyright 1985-2006, American Megatrends, Inc.						

Press <Enter> to select a sub-menu for detailed options.

Table 6 Onboard I/O Configuration

BIOS SETUP UTILITY						
Main	Advanced	Boot	Chipset	Power	Security	Exit
Onboard I/O Configuration		Allow BIOS to Select Serial Port1 Base Addresses.				
Serial Port1 Address		[3F8]				
Serial Port1 IRQ		[4]				
COM1 Function Type		[RS232]				
Serial Port2 Address		[2F8]				
Serial Port2 IRQ		[4]				
Serial Port3 Address		[3E8]			← Select Screen	
Serial Port3 IRQ		[3]			↑↓ Select Item	
Serial Port4 Address		[2E8]			Enter Go To Sub Screen	
Serial Port4 IRQ		[11]			F1 General Help	
Serial Port Address		[378]			F10 Save and Exit	
Parallel Port Mode		[Normal]			ESC Exit	
Parallel Port IRQ		[IRQ7]				
V02.61 (C)Copyright 1985-2006, American Megatrends, Inc.						

**Serial Port1 Address**

Options: Disabled, 3F8, 3E8, 2E8

**Serial Port1 IRQ**

Options: 3, 4, 10, 11

**COM1 Function Type**

Options: RS-232, RS-422, RS-485

**Serial Port2 Address**

Options: Disabled, 2F8, 3E8, 2E8

**Serial Port2 IRQ**

Options: 3, 4, 10, 11

**Serial Port3 Address**

Options: Disabled, 3F8, 2F8, 3E8, 2E8, 2F0, 2E0

**Serial Port3 IRQ**

Options: 3, 4, 10, 11

**Serial Port4 Address**

Options: Disabled, 3F8, 2F8, 3E8, 2E8, 2F0, 2E0

**Serial Port4 IRQ**

Options: 3, 4, 10, 11

**Parallel Port Address**

Options: Disabled, 378, 278, 3BC

**Parallel Port Mode**

Options: Normal, EPP, ECP, EPP + ECP

**Parallel Port M IRQ**

Options: IRQ5, IRQ7

Table 7 OnBoard Peripherals Configuration Settings

BIOS SETUP UTILITY		
Advanced		
OnBoard Peripherals Configuration Settings		<b>Options</b>
<b>USB Controller</b>	<b>[Enabled]</b>	Disabled
USB 2.0 Controller	[Enabled]	Enabled
USB Device Legacy Support	<b>[Enabled]</b>	
Audio Controller	<b>[Auto]</b>	<> Select Screen
Onboard LAN1 Controller	<b>[Enabled]</b>	↑↓ Select Item
Onboard LAN2 Controller	<b>[Enabled]</b>	+ - Change Field
Onboard LAN OPTROM	<b>[Disabled]</b>	Tab Select Field
		F1 General Help
		F10 Save and Exit
		ESC Exit
V02.61 (C)Copyright 1985-2006, American Megatrends, Inc.		

**USB Controller**

Options: Enabled, Disabled

**USB 2.0 Controller**

Options: Enabled, Disabled

**USB Device Legacy Support**

Options: Enabled, Disabled, Auto

**Audio Controller**

Options: Auto, Disabled

**Onboard LAN1 Controller**

Options: Enabled, Disabled

**Onboard LAN2 Controller**

Options: Enabled, Disabled

**Onboard LAN OPTROM**

Options: Enabled, Disabled

Table 8 Hardware Health Configuration

BIOS SETUP UTILITY		
Advanced		
Hardware Health Configuration		Disabled
CPU Warning Temperature	[Disabled]	80°C/ 176°F
CPU Shutdown Temperature	[Disabled]	85°C/ 185°F
		90°C/ 194°F
CPU Temperature	:55°C/ 131°F	95°C/ 203°F
System Temperature	:44°C/ 111°F	
Fan Speed	:6308 RPM	← Select Screen
		↑↓ Select Item
+V CORE	:1.088 V	+ - Change Option
+1.05V	:1.040 V	F1 General Help
+3.3V	:3.296 V	F10 Save and Exit
+5V	:5.053 V	ESC Exit
+12V	:11.776V	
+VCC RTC	:3.232 V	
V02.61 (C)Copyright 1985-2006, American Megatrends, Inc.		

**CPU Shutdown Temperature**

Options: Disabled, 80°C/ 176°F, 85°C/ 185°F, 90°C/ 194°F, 95°C/ 203°F

# Boot Menu

Table 9 Boot Menu

BIOS SETUP UTILITY						
Main	Advanced	Boot	Chipset	Power	Security	Exit
<b>Boot Settings</b> <hr/> > Boot Device Priority > Hard Disk Drives  <b>Quick Boot</b> [Enabled] Bootup Num-Lock [ON] Wait For 'F1' If Error [Enabled] Hit 'DEL' Message Display [Enabled]		Specifies the Boot Device Priority Sequence.  ← Select Screen ↑↓ Select Item Enter Go To Sub Screen F1 General Help F10 Save and Exit ESC Exit				
V02.61 (C)Copyright 1985-2006, American Megatrends, Inc.						

## Boot Device Priority

1<sup>st</sup> Boot Device [SATA: PS-WDC WD1600]

## Hard Disk Drives

1<sup>st</sup> Drive [SATA: PS-WDC WD1600]

## Quick Boot

Enabling this item allows BIOS to skip some Power On Self Tests (POST) while booting to decrease the time needed to boot the system. When set to [Disabled], BIOS performs all the POST items.

Options: Disabled, Enabled

## Bootup Num-Lock [On]

Allow you to select the power-on state for the NumLock.

Options: Off, On

## Wait for 'F1' If Error [Enabled]

When set to Enabled, the system waits for F1 key to be pressed when error occurs.

Options: Disabled, Enabled

## Hit 'DEL' Message Display [Enabled]

When set to Enabled, the system displays the message 'Press DEL to run Setup' during POST

Options: Disabled, Enabled

## ■ Chipset Menu

Table 10 Chipset Menu

BIOS SETUP UTILITY						
Main	Advanced	Boot	<b>Chipset</b>	Power	Security	Exit
Chipset Settings				Options		
DRAM Frequency		[AUTO]		Auto		
Configure DRAM Timing by SPD		[Enabled]		400 MHz		
Boots Graphic Adapter Priority		[PEG/PCI]		533 MHz		
Internal Graphics Mode Select		[Enabled, 8MB]		← Select Screen		
Hyper Threading Technology		[Enabled]		↑↓ Select Item		
> Video Function Configuration				+- Change Option		
				F1 General Help		
				F10 Save and Exit		
				ESC Exit		
V02.61 (C)Copyright 1985-2006, American Megatrends, Inc.						

### **Dram Frequency**

Options: Auto, 400 MHz, 533 MHz

### **Configure DRAM Timing by SPD**

Options: Disabled, Enabled

### **Boots Graphic Adapter Priority**

Options: IGD, PCI/IGD, PCI/PEG, PEG/IGD, PEG/PCI

### **Internal Graphics Mode Select**

Select the amount of system memory used by the Internal graphics device.

Options: Disabled, Enabled 1MB, Enabled 8M

### **Hyper Threading Technology**

Options: Disabled, Enabled



Table 11 Video Function Configuration

BIOS SETUP UTILITY						
Main	Advanced	Boot	Chipset	Power	Security	Exit
Video Function Configuration					Min: 0.0V	
<b>DVMT Mode Select</b>			<b>[DVMT Mode]</b>		Max:5.0V	
DVMT/FIXED memory			[128MB]			
Boot Display Device			[VGA + LVDS]			
Flat Panel Type			[1280x1024 24Bit 1C]		← Select Screen	
Local Flat Panel Scaling			[Auto]		↑↓ Select Item	
Panel Backlight Voltage			[2.5]		+- Change Option	
					F1 General Help	
					F10 Save and Exit	
					ESC Exit	
V02.61 (C)Copyright 1985-2006, American Megatrends, Inc.						

### DVMT Mode Select

Options: Fixed Mode, DVMT Mode, Combo Mode

### DVMT/FIXED Memory

Options: 64MB, 128MB, Maximum DVMT

### Boot Display Device

Options: VGA, LVDS, VGA+LVDS

### Flat Panel Type

Options: 1280x1024 24Bit 1CH

### Local Flat Panel Scaling

Options: Auto, Forced Scaling, Disabled

### Panel BackLight Voltage

Options: 0.0, 0.5, 1.5, 2.0, 3.0, 3.5, 4.0, 4.5, 5.0

## Power Menu

Table 12 Power Menu

BIOS SETUP UTILITY						
Main	Advanced	Boot	Chipset	<b>Power</b>	Security	Exit
Power Management Settings					Enable/Disable ACPI support for Operating System.	
<b>ACPI Function</b>			<b>[Enabled]</b>	ENABLE: If OS supports ACPI.		
Suspend mode			[S3 (STR)]	DISABLE: If OS does not support ACPI.		
Repost Video on S3 Resume			[No]	← Select Screen		
Suspend Time Out			[Disabled]	↑↓ Select Item		
Restore on AC Power Loss			[Power Off]	+- Change Option		
Resume By USB Device			[Disabled]	F1 General Help		
Resume on PME#			[Disabled]	F10 Save and Exit		
Resume On RTC Alarm			[Disabled]	ESC Exit		
V02.61(C)Copyright 1985-2006, American Megatrends, Inc.						

### ACPI Function

Enable/ Disable ACPI support for Operating System.

ENABLE: If OS supports ACPI, DISABLE: IF OS Does not support ACPI.

### Suspend mode

Options: S1 (POS), S3 (STR)

### Repost Video on S3 Resume

Determines whether to invoke VGA BIOS post on S3/STR resume

Options: No, Yes

### Suspend Time Out

Options: Disabled, 1 Min, 2 Min, 4 Min, 8 Min, 10 Min, 20 Min, 30 Min, 40 Min, 50 Min, 60 Min.

### Restore on AC Power Loss

Options: Power OFF, Power ON, Last State

### Resume By USB Device

Options: Disabled, Enabled

### Resume on PME#

Options: Disabled, Enabled

### Resume On RTC Alarm

Options: Disabled, Enabled

## ■ Security Menu

Table 13 Security Menu

BIOS SETUP UTILITY						
Main	Advanced	Boot	Chipset	Power	Security	Exit
<b>Security Setting</b> <hr/> Supervisor Password :Not Installed User Password :Not Installed  <b>Change Supervisor Password</b> Change User Password					Install or Change the password.    ← Select Screen ↑↓ Select Item Enter Change F1 General Help F10 Save and Exit ESC Exit	
V02.61 (C)Copyright 1985-2006, American Megatrends, Inc.						

### Change Supervisor Password

Select this item to set or change the supervisor password. The Supervisor Password item on top of the screen displays the default Not Installed. After you have set a password, this item displays Installed.

### Change User Password

Select this item to set or change the user password. The User Password item on top of the screen displays the default Not Installed. After you have set a password, this item displays Installed.

## ■ Exit Menu

Table 14 Exit Menu

BIOS SETUP UTILITY						
Main	Advanced	Boot	Chipset	Power	Security	Exit
Exit Setting		Exit System Setup after saving the changes.				
<b>Save Changes and Exit</b>		F10 key can be used for this operation.				
Discard Changes and Exit		← Select Screen				
Discard Changes		↑↓ Select Item				
Load Optimal Defaults		Enter Go To Sub Screen				
Load Failsafe Defaults		F1 General Help				
		F10 Save and Exit				
		ESC Exit				
V02.61 (C)Copyright 1985-2006, American Megatrends, Inc.						

### Save Changes and Exit

Exit system setup after saving the changes. Once you are finished making your selections, choose this option from the Exit menu to ensure the values you selected are saved to the CMOS RAM. The CMOS RAM is sustained by an onboard backup battery and stays on even when the PC is turned off. When you select this option, a confirmation window appears. Select [Yes] to save changes and exit.

### Discard Changes and Exit

Exit system setup without saving any changes. Select this option only if you do not want to save the changes that you made to the Setup program. If you made changes to fields other than system date, system time, and password, the BIOS ask for a confirmation before exiting.

### Discard Changes

Discards changes done so far to any of the setup values. This option allows you to discard the selections you made and restore the previously saved values. After selecting this option, a confirmation appears. Select [Yes] to discard any changes and load the previously saved values.

### Load Optimal Defaults

Load Optimal Default values for all the setup values. This option allows you to load

optimal default values for each of the parameters on the Setup menus, which will provide the best performance settings for your system. The F9 key can be used for this operation.

### **Load Failsafe Defaults**

Load Optimal Default values for all the setup values. This option allows you to load failsafe default values for each of the parameters on the Setup menus, which will provide the most stable performance settings. The F8 key can be used for this operation.

## Chapter 4

# Driver Installation

If your KPC-1740 does not come with an operating system pre-installed, you will need to install an operating system and the necessary drivers to operate it. After you have finished assembling your system and connected the appropriate power source, power it up using the power supply and install the desired operating system. You can download the drivers for the KPC-1740 from the Quanmax website at [www.quanmax.com](http://www.quanmax.com) and install as instructed there. For other operating systems, please contact Quanmax.