

KEEX-1100

3.5" Single Board Computer
with INTEL® Atom™ D510 and ICH8M chipset



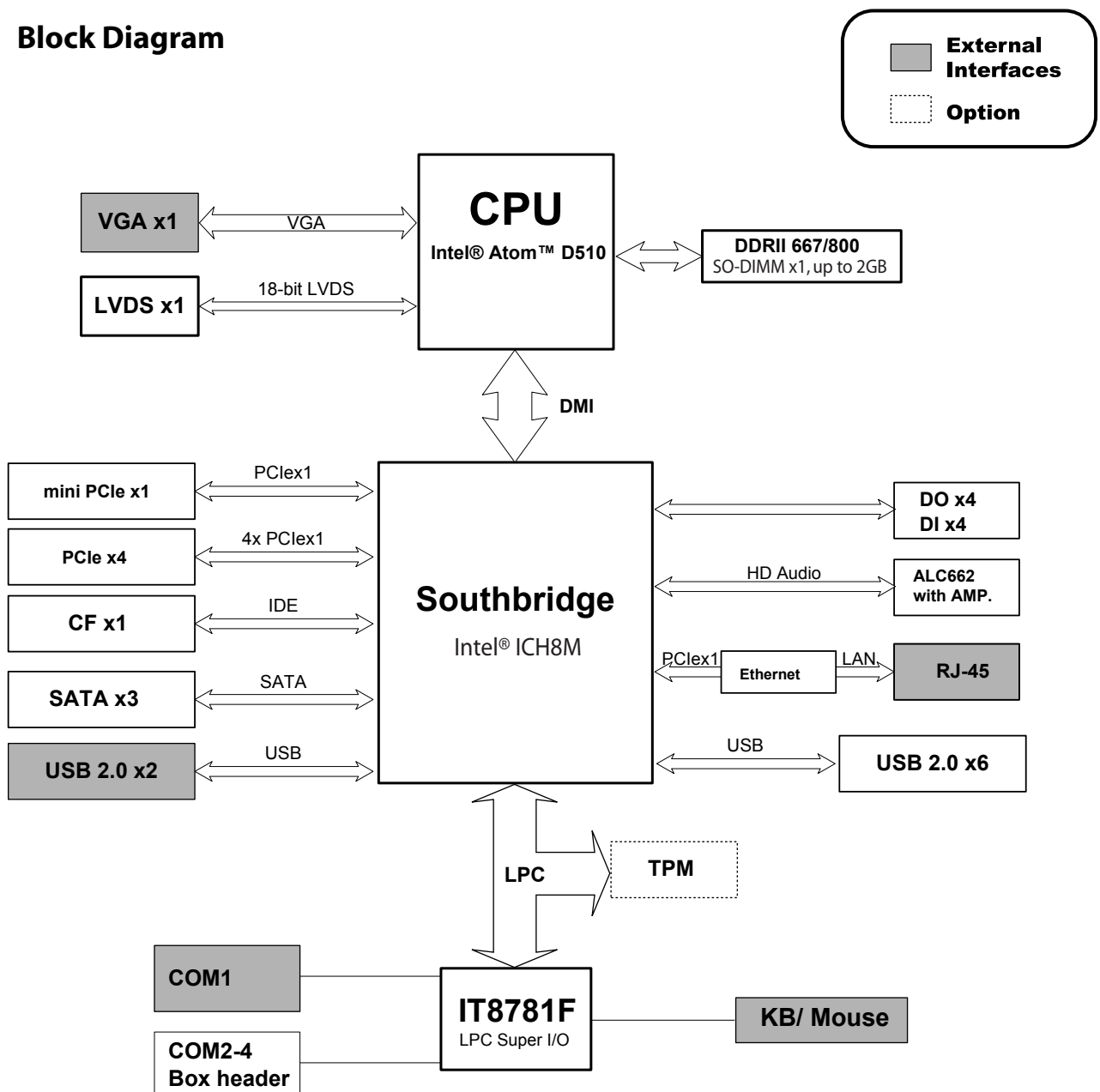
- High performance, low power consumption
 - Intel® Atom™ D510 and ICH8M chipset
- Compact 3.5" form factor for embedded applications
- 18-bit LVDS, VGA, HD Audio, SIM card supported
- SATA 3Gb/s, GbE, USB 2.0, COMs, Digital I/Os, CF socket
- 1x mini PCIe x1 socket, 1x PCIe x4 slot (w/ 4x PCIe x1 speed)
- Watchdog Timer, Hardware Monitor

Product Overview

The KEEX-1100 is industrial 3.5" Embedded SBC (single board computer) that combines the high performance and low power consumption of the Intel® Atom™ D510 processor with Intel® ICH8M chipset and supports 667/800 MHz DDR2 SDRAM up to 2GB. This SBC offers the latest performance, features and I/O interfaces at an extremely attractive price/ performance ratio and

measures 102mm x 146mm, a 75 percent space reduction over micro-ATX boards. The KEEX-1100 features VGA and 18-bit LVDS panel support, SATA, COM port, Digital I/O, GbE, USB 2.0, keyboard/mouse, and HD audio. CompactFlash, and 1x Mini PCIe slot support provide expansion capability.

Block Diagram

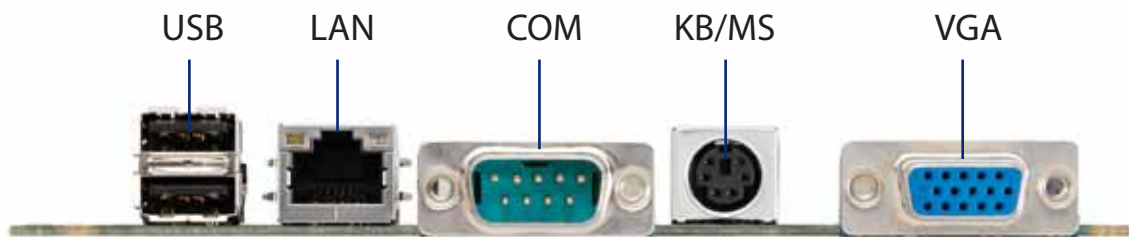


Technical Information

CPU Support	Intel® Atom™ D510
Chipset	Intel® ICH8-M
Memory	1x DDR2 667/800 SO-DIMM Socket, up to 2GB
BIOS	AMI Plug & Play BIOS
Display	Integrated on Intel® Atom™ D510 (GEN 3.5+ GFX Core) 18-bit signal channel LVDS support 1x VGA
Peripheral Support	3x SATA (one with onboard power connector) 1x CompactFlash socket 9x USB 2.0 (one reserved for Mini-PCle) 4x COMs with Power Selection (1x RS-232/422/485, 3x RS-232) 4x DI/DO (via pin-header) 1x Mini-Din PS/2 KB/ MS 1x 6-pins wafer connector for SIM card supported
LAN	1x RJ-45, Gigabit Ethernet PXE & WOL supported

Audio	HD Audio ALC662 Codec Supports Line-in, Line-out & Microphone (via pin-header) 2W Speak-out with AMP (via pin-header) Two 2-pins pitch 2.0mm wafer connector for Right/Left speaker out
Power Connector	ATX-4P
Expansion	1x PCIe x4 slot (w/ 4x PCIe x1 speed) 1x Mini PCIe slot
Watchdog Timer	1-255 step
Hardware Monitor	Operating voltage, CPU temperature and fan speed
Dimensions	3.5" Embedded Board, 10.20 x 14.60 cm (4.02 x 5.75 inches)
Environmental Factors	Operation Temp: 0°C - 60°C Storage Temp.: -10°C - 85°C Humidity: 0% - 90%
Certifications	CE, FCC Class A

KEEX-1100 Rear I/O



Ordering Information

Article	Part No.	Description
KEEX-1100	B3EX1100-001000T	PROD, KEEX-1100, 3.5 inch board, D510/ICH8M with VGA/18-bit LVDS, Gb/s Ethernet, 4 x COMs, 8 x USB2.0 ports, 1 x miniPCIE, 3 x SATA ports, CF, audio w/ 2W amplifier

Accessories

Article	Part No.	Description
PS/2 Cable *	0C5029002000100L	Mini PS/2 Y-cable with Keyboard / Mouse , L=200mm , 180degree
COM Cable	0C5019001000010L	COM Port cable, 10-pin pitch=1.25mm to DB-9 connector, L=10cm
USB Cable	0C502USB0201010L	USB cable, 2.54mm 10-pin to 2xUSB connectors with bracket, L=30cm
SATA Cable *	0C501ATA0746000L	SATA cable , 7-pin connector with lock, L=46cm
SATA Cable	0C501ATA7P30000L	SATA cable 7-pin + 15-pin 180D, L=30cm
Audio Cable	0C5049001000020L	Audio cable, 6-pin to three Phone Jacks, L=10cm
DC Jack cable	0C5029002000070L	DC-Jack cable, ATX 4pin connector to DC-Jack 5.5mm(L)x2.5 , L=20cm
Cable set for KEEX-2030	0ZCKEEX2030B1000	Cable, COM/SATA/PS2/DC jack/Audio/USB

* The item has been included in standard package.