

QBOX-1600

0.6-Liter Fanless Box PC with Intel® Cedarview-M
Atom™ N2600 Processor



- Fan-less Design and 0.6-Liter Compact Sized
- Intel® Cedarview-M Atom™ N2600 Processor
- Intel® NM10 Express Chipset
- Support DDR3 800 MHz SODIMM up to 2GB
- Support 1xVGA, 1xHDMI, 1xDP, 1xGbE, 1xeSATA, 4xUSB and Audio
- Support 2x COMs and Digital I/Os (optional)
- Support 1x 2.5" SATA HDD

Product Overview

The QBOX-1600 is a fan-less Box PC is ideal for space critical applications. This embedded hardware platform is designed with Intel® Cedarview-M Atom N2600 Processor which provides with excellent performance. The system is supported with Intel® NM10 Express chipset, and DDR3 SO-DIMM up to 2GB. Featured are an eSATA, 1x 2.5" SATA HDD, 1x mini-PCIe slot, GbE, USB 2.0, VGA, HDMI, DP,

2x COMs and Digital I/Os.

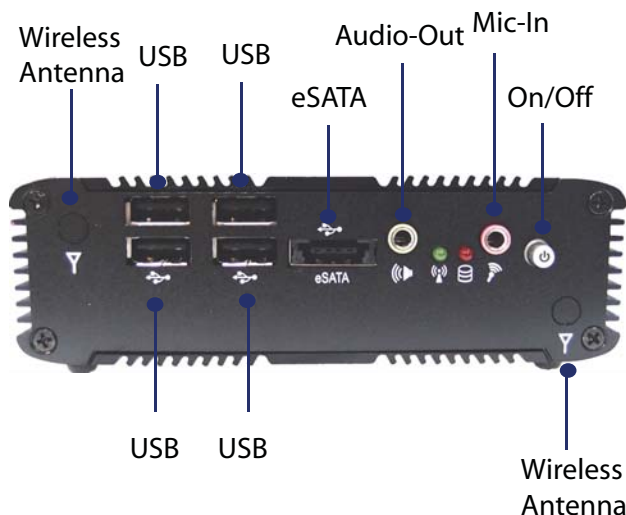
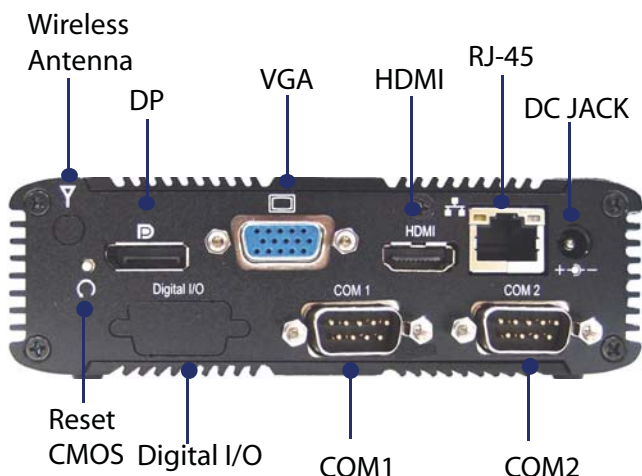
The QBOX-1600 provides high reliability rugged case not only for great protection from EMI, cold and heat, but also integrated with passive cooling design for quiet fan-less operation such as Transportation, Surveillance and Automation.

Technical Information

Construction	
Aluminum extrusion	
System Board	
Intel® Cedarview-M Atom™ N2600 (1.6 Ghz)	
Intel® NM10 Express Chipset	
Memory	
DDR3 800 SO-DIMM up to 2 GB	
I/O Panel	
Front I/O panel	
1x Push button (w/LED) for power on/off	
1x Phone Jack for Line-Out	
1x Phone Jack for MIC-In	
1x Power LED (Green)	
1x HDD LED (Red)	
4x USB2.0	
1x eSATA/USB Combo connector	
Rear I/O panel	
1x DC JACK	
1x RJ-45, GbE port	
1x DP	
1x DB-15 VGA	
1x HDMI	
2x DB-9 (RS-232/422/485)	
1x Digital I/O (optional)	
1x Reset CMOS	

Storage	
1x 2.5" SATA HDD	
Expansion	
1x Mini PCI Express slot (for optional WiFi)	
Power Supply	
Input: 100-240 VAC, 50-60 Hz	
Output: 30W, +19VDC / 1.58A output	
Cooling	
Fanless	
Temperature / Humidity	
Operating Temperature:	
With Industrial SSD: -10 ~ 60° C (Ambient with air flow)	
With 2.5" HDD: 0 ~ 40° C (Ambient with air flow)	
Storage Temperature:	
-20°C to 80°C, 0%-90%, non-condensing	
Dimensions	
130 x 40 x 110 mm (WxHxD)	
Weight	
750 g	
Mounting	
Desktop, VESA mount, Din Rail	
Certifications	
CE, FCC Class A	

QBOX-1600 I/Os



Ordering Information

Article	Part No.	Description
QBOX-1600	SQBX160000010T00	Fanless Box PC with Intel® Atom™ N2600, Intel® NM10 Express chipset, GbE, HDMI, VGA, DP, SATA, MiniPCIe, USB 2.0, COM