

# KEMX-6000

Industrial Motherboard in Mini-ITX form factor  
with Intel® Core™ i7/i5 Processors and QM67 Express Chipset



- 2nd Generation Intel® Core™ i7/i5 Processors
- Intel® QM67 Express Chipset
- 1x VGA, 1x DVI-D, 1x HDMI, and 2x 24-bit dual-channel LVDS
- 2x Dual Channel DDR3 SO-DIMM Socket, total up to 8 GB
- 1x PCIe x 16, 2x Mini PCIe slot, 1x Compact Flash Socket
- 5x SATA, 2x USB 3.0, 8x USB 2.0, 6x COM Ports
- 2x GbE, iAMT 7.0 supported
- Watchdog Timer, Hardware Monitor

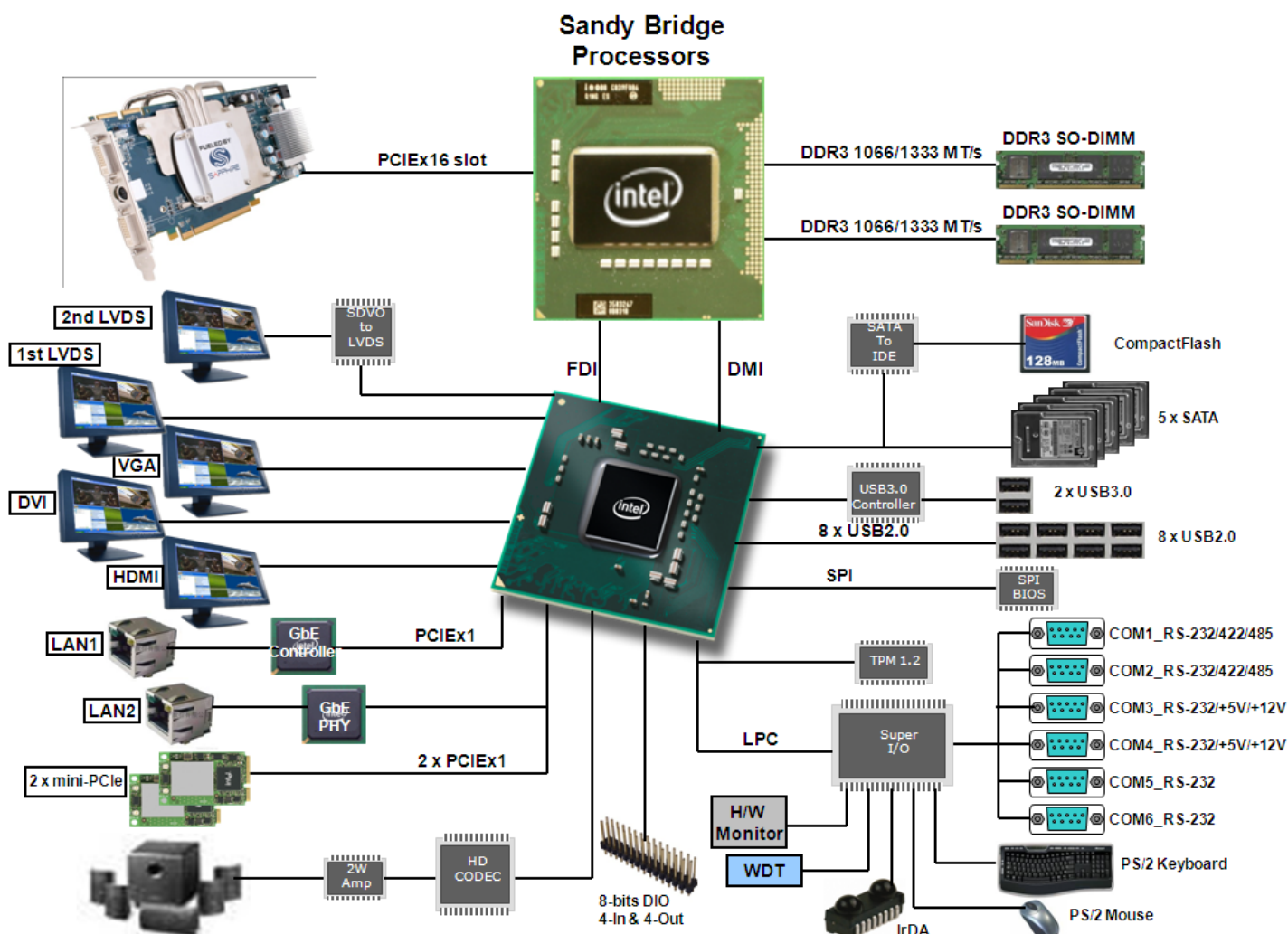
## Product Overview

The KEMX-6000 is a Mini-ITX form factor industrial motherboard combining the latest 2nd generation Intel® Core™ i7/i5 processors with the high integration of the Intel® QM67 chipset. Featured are DDR3 1066/1333 SO-DIMM up to 8GB, 24-bit LVDS, HDMI, DVI-D, VGA, 2x Gigabit Ethernet, 5x SATA, 1x PCIe x 16,

mini PCIe Expansion slot, 2x USB 3.0, 8x USB 2.0, 6x COM ports with Power Selection, HD audio, keyboard/mouse and CompactFlash.

The KEMX-6000 is a compact, high performance industrial motherboard that is ideal for a variety of applications.

## Block Diagram



## Technical Information

<b>CPU Support</b>	2nd Generation Intel® Core™ i7/i5 Processors
<b>Chipset</b>	Intel® QM67 Express Chipset
<b>Memory</b>	2x DDR3 1066/1333 SO-DIMM Socket, up to 8GB
<b>BIOS</b>	AMI PnP BIOS/iAMT 7.0 supported
<b>Display</b>	1x HDMI 1x DVI-D 2x 24-bit dual-channel LVDS 1x VGA (DB15)
<b>Peripheral Support</b>	Storage supported Five 7-pins SATA connectors supported Raid 0/1/5/10 supported One CF socket supported 2x USB 3.0 ports support Two USB 2.0 ports stack with RJ-45 connector on rear I/O 8x USB 2.0 ports support Two USB 2.0 ports stack with RJ-45 connector on rear I/O Six more USB 2.0 ports via four 2x5-pins 2.54mm pitch headers for internal One 2x5-pins 2.54mm pitch header for 8-bits DIO supported One 6-pin pitch 2.0mm wafer connector for PS/2 Keyboard/Mouse Six COM ports supported Two DB-9 male connectors for COM1, COM2 on rear I/O COM1 & COM2 with RS-232/422/485 supported Four 2x5-pins pitch 2.54mm headers for COM3 ~ COM6 COM3 & COM4 with +12V & +5V supported, select by jumper COM5 & COM6 with RS-232 only. One 1x5-pins pitch 2.54mm header for IrDA supported Buzzer onboard TPM1.2 supported Two fans supported One 3-pin FAN for CPU One 3-pin FAN for system Fans speed control supported

<b>Audio</b>	Realtek ALC888 HD audio codec onboard One audio stack connector for Line-Out, Line-In and Mic-In on rear I/O One S/PDIF connector on rear I/O for S/PDIF out supported One 2x5-pins pitch 2.54mm headers for front panel audio supported One 2Watts audio amplifier onboard Two pitch 2.0mm wafer connectors for Right/Left speaker out
<b>LAN</b>	2x RJ-45, Gigabit Ethernet Intel GbE PHY 82579 and 82574 GbE controller onboard
<b>Power Connector</b>	One 24-pins standard ATX power connector for power input One 4-pins ATX power connector for CPU core power +12V & GND input AT/ATX supported
<b>Expansion</b>	Two Mini-PCIe slot supported Support Mini-PCIe Spec, version 1.2 only One 1x 6-pins pitch 1.25mm wafer connector for 2G/3G SIM Card module supported One PCIe x 16 slot supported
<b>ACPI</b>	ACPI 3.0b supported
<b>Watchdog Timer</b>	1-255 step
<b>Hardware Monitor</b>	Operating voltage, CPU temperature and fan speed
<b>Dimensions</b>	Mini-ITX (170 x 170 mm)
<b>Environmental Factors</b>	Operation Temp: 0°C - 60°C Storage Temp.: -10°C - 85°C Humidity: 0% - 90%
<b>Certifications</b>	CE, FCC Class A

## KEMX-6000 Rear I/O

