

KEMX-2230

Industrial Motherboard in Mini-ITX form factor
with Intel® Atom N270 + Intel® 945GSE/ ICH7-M



- Intel® Atom™ Processor N270
- Intel® 945GSE / ICH7-M
- 1x VGA, 18/24-bit dual-channel LVDS
- 1x DDR2 DIMM Socket, total up to 2 GB
- 1x Mini PCIe slot, 1x Compact Flash Socket
- 2x SATA, 8x USB 2.0, 1x GbE
- 4x COM ports, 4x DI/DO, 1x RJ-11 for Cash Drawer
- Watchdog Timer, Hardware Monitor



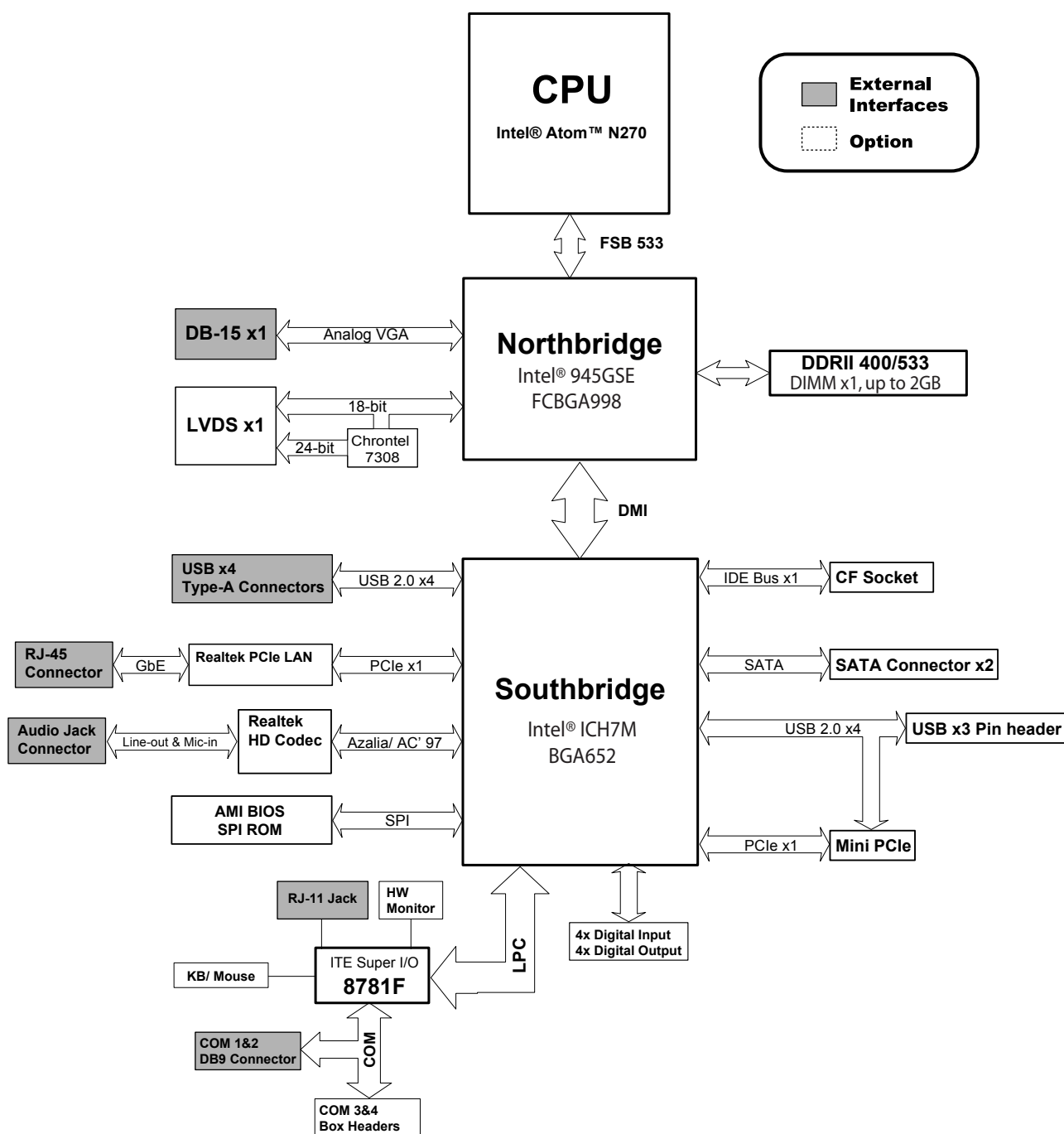
Product Overview

The KEMX-2230 is a Mini-ITX form factor industrial motherboard combining the latest Intel 45nm Intel® Atom™ processor with the high integration of the Intel® 945GSE/ ICH7-M chipset. The new architecture of Atom™ N270 enable the lowest power consumption and smallest form factor for thin client and fundamental use. Featured are DDR2-400/533

DIMM up to 2GB, 18/ 24-bit LVDS, 1x Gigabit Ethernet, SATA, mini PCIe Expansion slot, 8x USB 2.0, 4x COM ports with Power Selection, HD audio, RJ-11 for cash drawer, CF and keyboard/mouse.

The KEMX-2230 is a compact, high performance industrial motherboard that is ideal for point-of-sales application.

Block Diagram

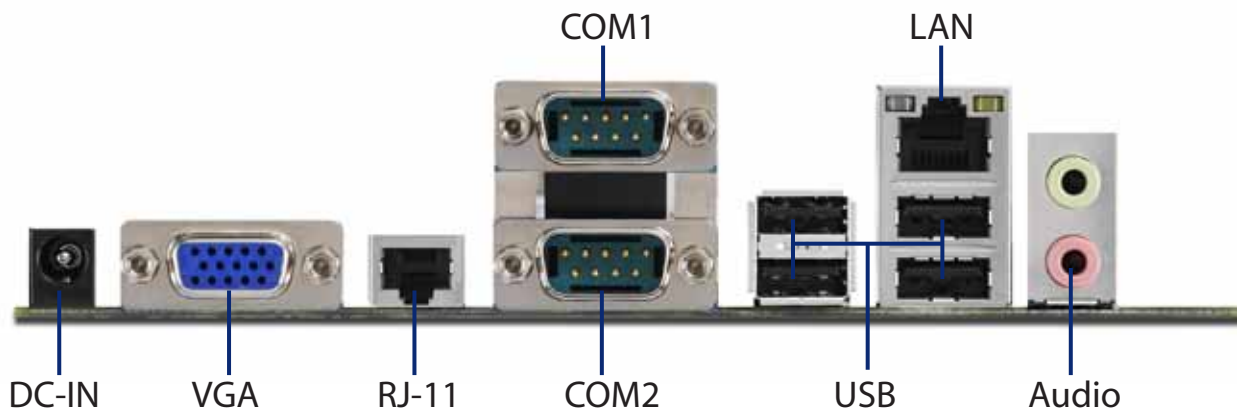


Technical Information

CPU Support	Intel® Atom™ N270
Chipset	Intel® 945GSE + ICH7-M
Memory	1x DDR2 400/533 DIMM Socket, up to 2GB
BIOS	AMI PnP BIOS
Display	Integrated on Intel® 945GSE Chipset 18/24-bit dual-channel LVDS 1x VGA (DB15)
LAN	1x RJ-45, Gigabit Ethernet
Audio	HD Audio Codec, supports Line-out & Microphone Speak-out with AMP.2W
Peripheral Support	1x CompactFlash socket 2x SATA 4x COMs 2x DB-9 male connectors for COM1/2, 2x headers for COM3/4 RS422/485 supports on COM1 +5/12V voltages supported, voltages select by jumper 8x USB 2.0 (one reserved for Mini-PCIe) 1x header for keyboard and mouse 1x header for 8-bits Digital I/O (4x DI/DOs) 1x RJ-11 on rear I/O to support cash drawer 1x fan connector for system fan 1x buzzer on board

Power Connector	DC Jack for 12V ATX-4P
Expansion	1 x Mini-PCIe slot
Watchdog Timer	1-255 step
Hardware Monitor	Operating voltage, CPU temperature and fan speed
Dimensions	Mini-ITX (170 x 170 mm)
Environmental Factors	Operation Temp: 0°C - 60°C Storage Temp.: -10°C - 85°C Humidity: 0% - 90%
Certifications	CE, FCC Class A

KEMX-2230 Rear I/O



Ordering Information

Article	Part No.	Description
KEMX-2230	TBD	Mini-ITX Motherboard with Intel® Atom N270, Intel® 945GSE/ ICH7-M, 18/24-bit LVDS, HD Audio, SATA, USB 2.0, 4x COMs with Power Support, RJ-11 for cash drawer, GbE