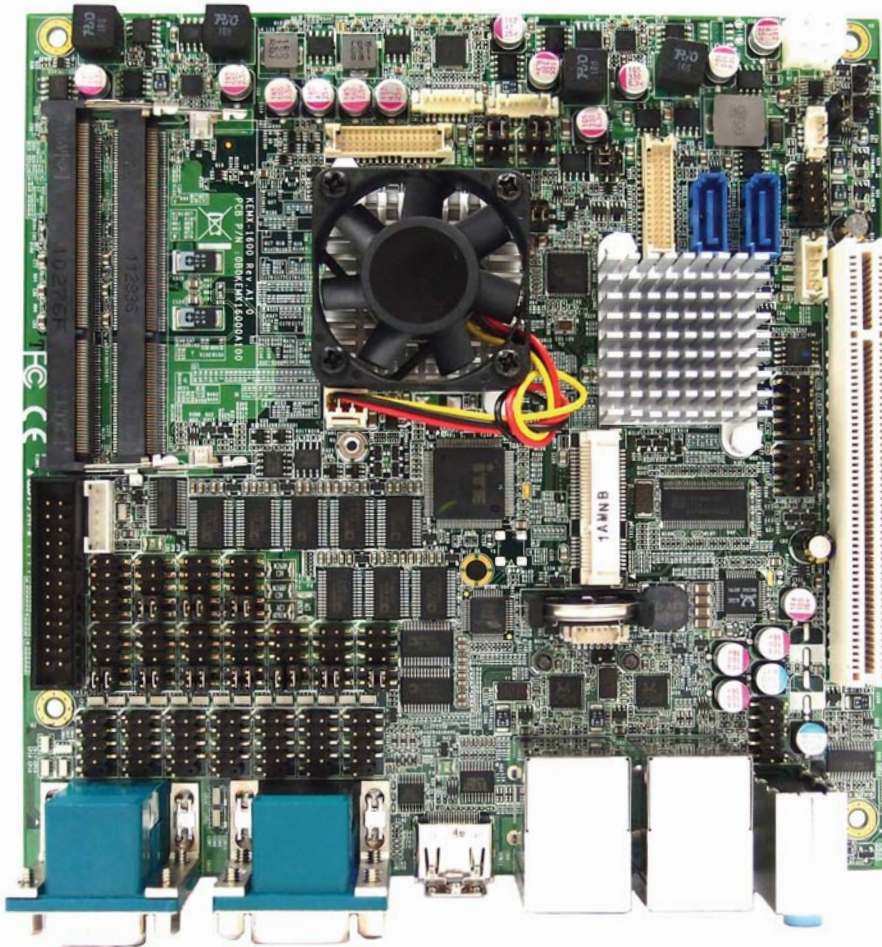


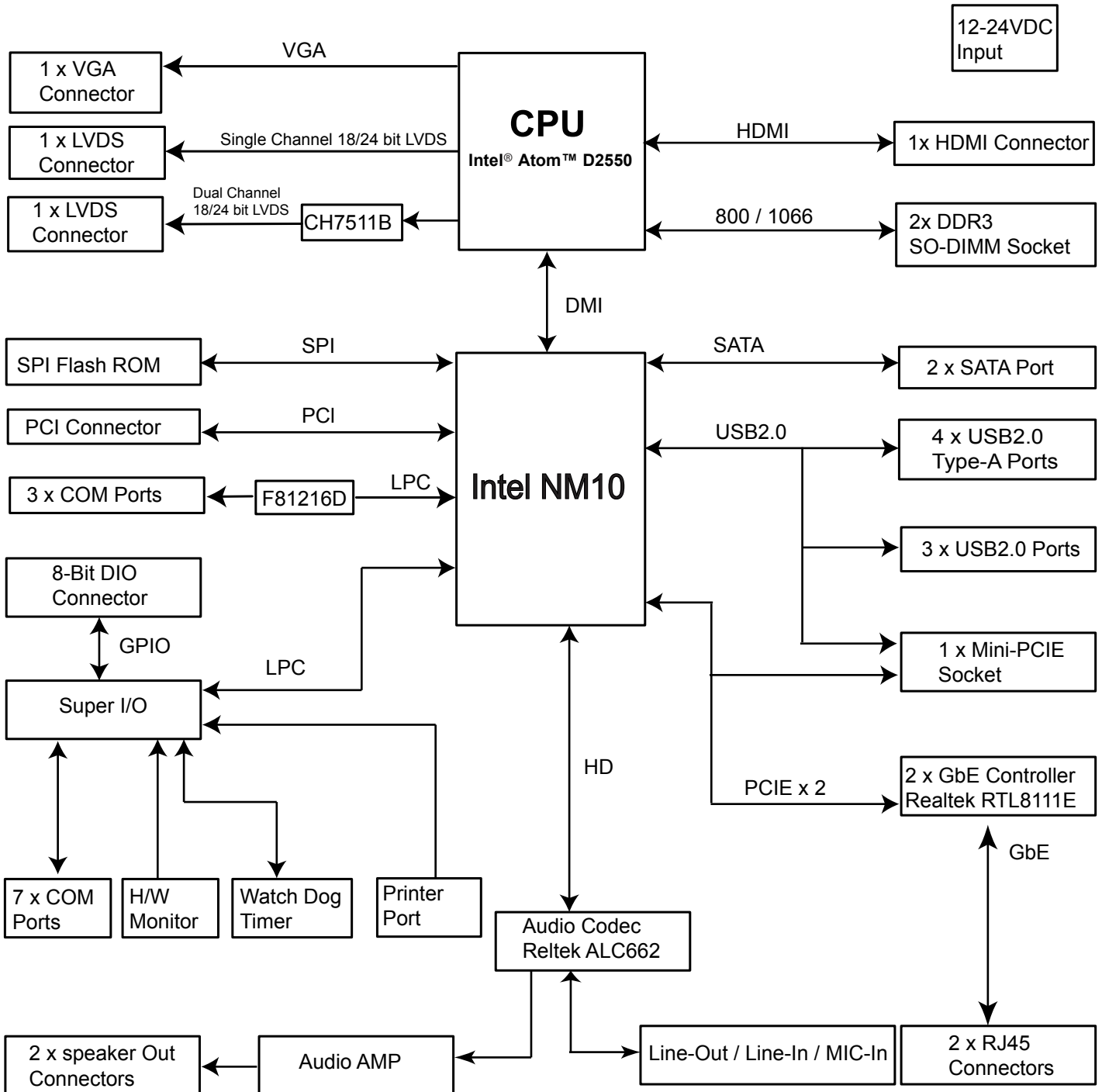
KEMX-1600

Industrial Motherboard in Mini-ITX form factor with
Dual Core Intel® Atom™ Processor D2550



- Intel® Atom™ Processor D2550 (1M Cache, 1.86GHz)
- Intel® NM10 Express Chipset
- Intel® Graphics Media Accelerator 3650
- 2x Single-channel DDR3 800/1066 MHz memory support
- 7xUSB2.0, 10xCOM, 2xGbE LAN, 2xSATA, 1xmSATA
- 8-bits Digital I/O supported
- LVDS, HDMI, VGA Supported
- PCI, Mini-PCIe expansion

Block Diagram

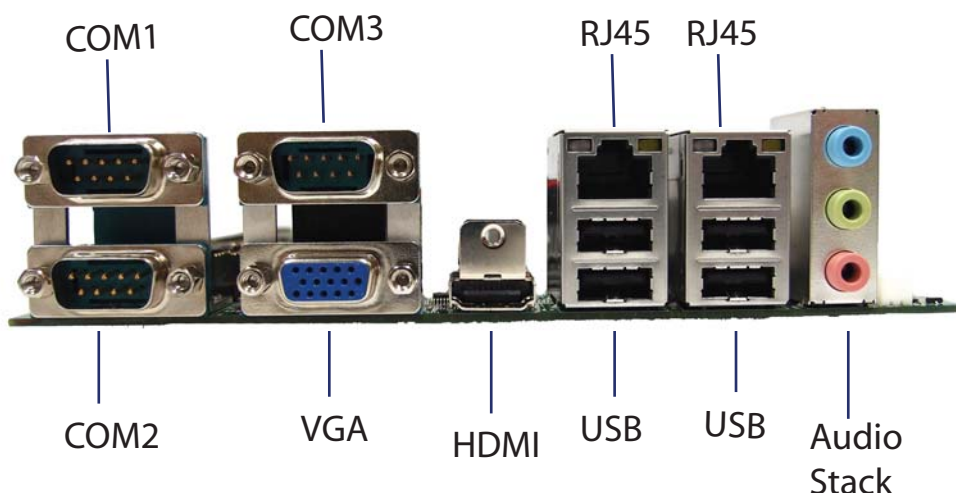


Technical Information

CPU Support	Intel® Atom™ Processor D2550 (1M Cache, 1.86GHz)
Chipset	Intel® NM10 Express Chipset
Memory	2x Single-channel DDR3 800/1066 MHz memory support (4GB max)
BIOS	AMI uEFI BIOS (16Mb SPI flash ROM)
Graphics	Intel® Graphics Media Accelerator 3650 1x Single channel 18-bit/ 24-bit LVDS 1x Dual channel 18-bit/24-bit LVDS 1x HDMI type A connector on rear I/O 1x VGA connector on rear I/O
LAN	2x Gigabit Ethernet (Realtek RTL8111E) PXE/RPL/WOL supported
Audio	Realtek ALC662-VC HD Codec w/ 2W Audio Amplifier Line-In, Line-Out and Mic-In Supported
Storage	2x SATA
USB	7x USB 2.0 supported
COM	10x COM ports supported (7x COM ports with power selection on COM4~COM10) (2x COM ports with RS-232/422/485 selection on COM1~COM2) (1x COM port without power selection on COM3)

PS/2	1x PS/2 Keyboard/ Mouse (internal)
LPT	1x Parallel Port
DIO	1x 8-bits programmable DIO
Expansion Slot	1x PCI slot onboard 2x PCI master supported 1x Mini PCI Express socket onboard 1x SIM card module supported
Hardware Monitor	Operating voltage, CPU temperature and fan speed
Watchdog Timer	1-255 step, can be set with software on Super I/O
Power	1x ATX-4P Connector, support single 12V-24VDC power input
OS Supported	Windows 7
Dimensions	Mini-ITX (170 x 170 mm)
Environment	Operation Temp: 0°C - 60°C Storage Temp.: -20°C - 80°C Humidity: 0% - 95%
Certification	CE, FCC Class A

KEMX-1600 Rear I/O



Ordering Information

Article	Part No.	Description
KEMX-1600	TBD	Mini-ITX board with Intel® Atom D2550, Intel® NM10 Express chipset, Gb Ethernet, LVDS, DVI, SATA, MiniPCIe, USB 2.0

Optional Accessories

Product Name	Quanmax P/N	Description
COM Cable*	0C5031002500020L	COM Port cable, pitch 2.54mm 10P, D-SUB 9P, L=250mm, with bracket, 180degree
USB Cable	0C502USB0201010L	USB cable, 2.54mm 10-pin to 2xUSB connectors with bracket, L=30cm
SATA Cable*	0C5010000000030L	SATA cable, 7-pin connector with lock, L=46cm
LPT Cable	0C5020002000010L	LPT CABLE 20CM, 2*13p 180degree, pitch=2.00 to DB-25
SPDIF Cable	0C5021002000020L	SPDIF CABLE, pitch:2.54 1x2P to RCA connector, L=20CM, 180 degree
PS/2 Cable	0C5020002500010L	Y-cable, 6-pin pitch 2.0mm wafer connector to KB&MS connector, L=25cm
SATA Power Cable*	0C5020000001590L	SATA power cable, WL2000H 1x4P 2.0pitch to SATA 1x15P 1.27pitch, L=460mm
DC Jack cable	0C5029002000070L	DC-Jack cable, ATX 4pin connector to DC-Jack 5.5mm(L) x 2.5Φ, L=20cm