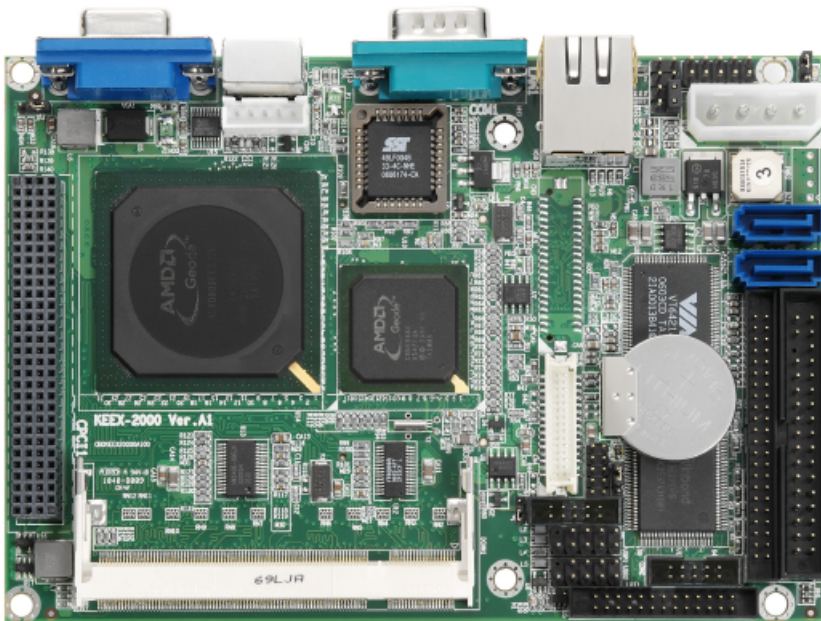


KEEX-2000

Industrial 3.5" Embedded SBC with AMD LX 800



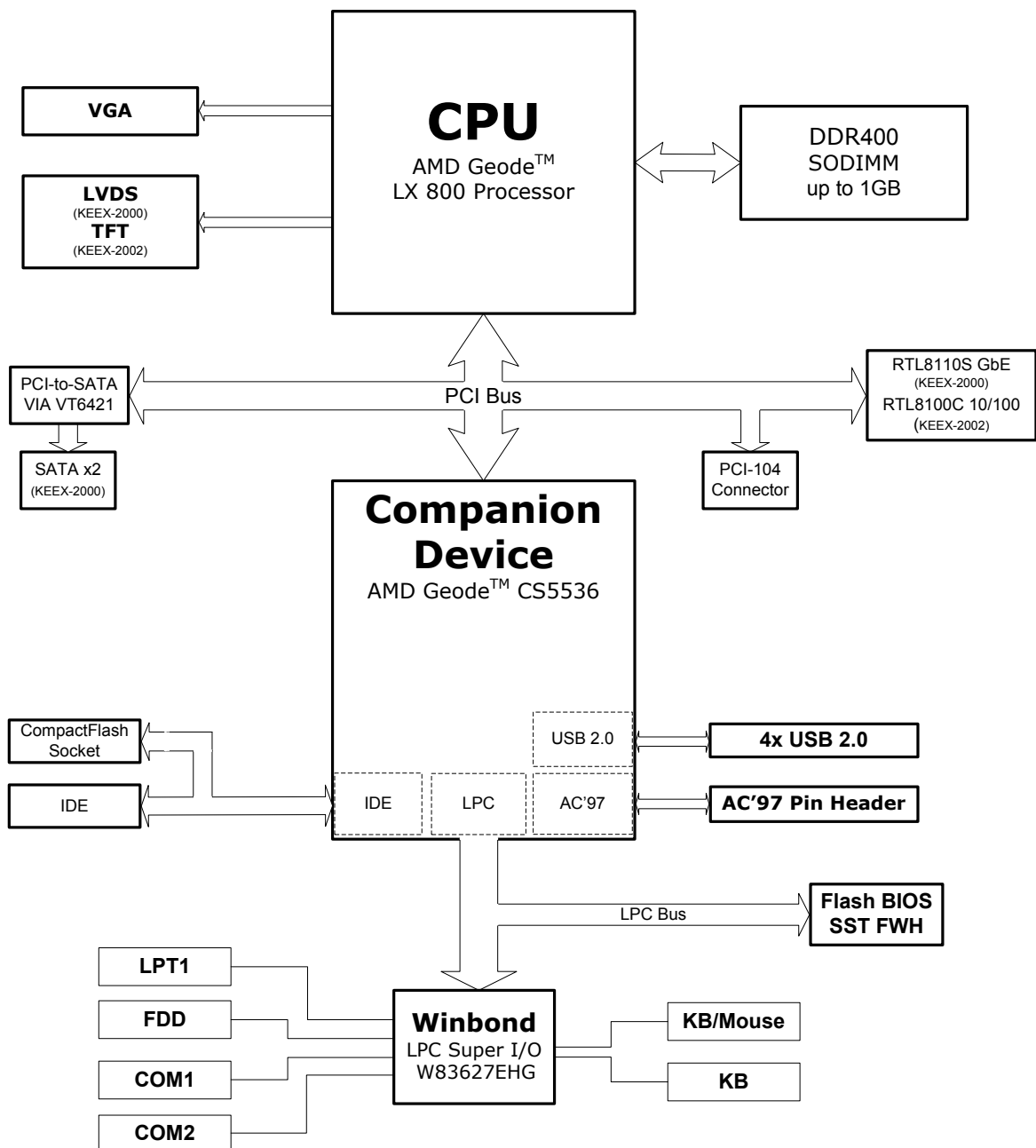
- High performance, extremely low power consumption - fanless
 - AMD LX 800/CS5536, DDR400 up to 1GB
- Compact 3.5" form factor for embedded applications
- 18-bit LVDS, 1920x1440x32bbp@85Hz CRT
- GbE, SATA, IDE, CF, USB 2.0, PCI-104
- Watchdog Timer, Hardware Monitor
- CE, FCC Class A

Product Overview

The KEEX-2000 is an Industrial 3.5" Embedded SBC (single board computer) combining the extremely low power consumption and high performance of the AMD LX 800 Processor with integrated northbridge and the AMD CS5536 Companion Device. The LX 800 features a 128KB L2 Cache, an integrated 128-Bit AES security engine, and supports DDR400 SODIMM up to 1GB.

The KEEX-2000 measures 102mm x 146mm, a 75% space reduction over micro-ATX boards. This SBC features integrated VGA and 18-bit LVDS panel support, IDE ATA-100, SATA 1.5 Gb/s, PCI-104 support, 8-bit DIO, two serial ports, parallel and floppy ports, Gigabit Ethernet (opt. 10/100), CompactFlash, USB v2.0, keyboard/mouse, and AC'97 audio.

Block Diagram

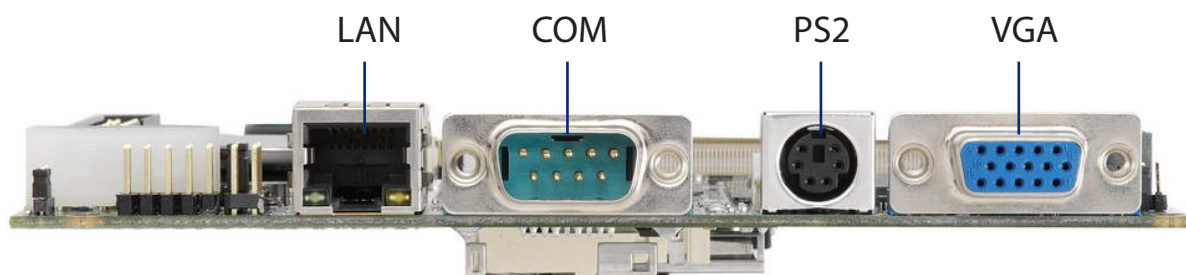


Technical Information

CPU Support	AMD LX 800 500MHz Processor
Chipset	AMD CS5536 Companion Device
Memory	1x DDR 266/333/400 SO-DIMM Socket, up to 1GB
BIOS	Award Plug & Play BIOS – 4Mb ROM
Display	Integrated in LX 800 - 1920x1440x32bbp@85Hz 18-bit single channel LVDS (KEEX-2002: 18/24-bit TTL interface) 1x VGA
Peripheral Support	1x IDE ATA100 2x SATA 1.5 Gb/s 1x CompactFlash socket 4x USB 2.0 2x COMs 4x DI/DO 1x parallel port 1x internal floppy port 1x Mini-Din PS/2 KB/ MS 1x Internal keyboard pin header

LAN	1x RJ-45, Gigabit Ethernet (Realtek RTL8110S Controller) KEEX-2002: Fast Ethernet - RTL8100C
Audio	AC'97 via optional daughter board
Power Connector	ATX-4P
Expansion	PCI-104 connector
Watchdog Timer	1-255 step, can be set with software on Super I/O
Hardware Monitor	Operating voltage, CPU temperature and fan speed
Dimensions	3.5" Embedded Board (102 x 146 mm)
Environmental Factors	Operation Temp: 0°C - 60°C Storage Temp.: -10°C - 85°C Humidity: 0% - 90%
Certifications	CE, FCC Class A

KEEX-2000 Rear I/O



Ordering Information

Article	Part No.	Description
KEEX-2000	B3EX2000-001000T	Industrial 3.5" Embedded SBC with AMD LX 800, LVDS, GbE, SATA, IDE, CF, USB 2.0, and PCI-104
KEEX-2002	B3EX2000-021000T	Industrial 3.5" Embedded SBC with AMD LX 800, TTL display support, Fast Ethernet, IDE, CF, USB 2.0, and PCI-104
KEDB-1001	BBDB1000-011000T	AC'97 daughter board with PCI bracket (Realtek ALC850)